

FHM

Maximum pressure 320 bar
Flow rates to 450 l/min



Technical data

Filter housing (Materials)

- Head: Cast iron (chemical heat treatment)
- Housing: Steel (chemical heat treatment)
- Bypass valve: Steel
- Check valve: Steel

Pressure

- Working pressure: 320 bar (32 MPa)
- Test pressure: 480 bar (48 MPa)
- Burst pressure: 960 bar (96 MPa)
- Pulse pressure fatigue test: 1.000.000 cycles with pressure from 0 to 320 bar (32 MPa)

Temperature

- From -25 °C to +110 °C

Bypass valve

- Opening pressure 6 bar \pm 10%
- Other opening pressures on request.

Δp Elements type

- Microfibre filter elements series N: 20 bar
- Microfibre filter elements series H: 210 bar (excluded FHM 050 - 500)
- Microfibre filter elements series S: 210 bar (only for FHM 050 - 500)
- Wire mesh filter elements series N: 20 bar
- Fluid flow through the filter element from OUT to IN.

Seals

- Standard NBR series A
- Optional FPM series V

FHM FILTERS ARE PROVIDED FOR VERTICAL MOUNTING

Weights (kg)

| Length | 1 | 2 | 3 | 4 | 5 |
|-----------|------|-------|-------|-------|-------|
| • FHM 006 | 2,17 | - | - | - | - |
| • FHM 007 | - | 4,74 | 5,95 | - | - |
| • FHM 010 | - | 4,74 | 5,95 | - | - |
| • FHM 050 | 5,31 | 5,68 | 6,09 | 6,56 | 7,74 |
| • FHM 065 | 5,47 | 5,83 | 7,04 | - | - |
| • FHM 135 | 8,78 | 10,38 | 11,43 | - | - |
| • FHM 320 | 19,8 | 21,93 | 24,22 | 26,70 | - |
| • FHM 500 | 35 | 39,17 | 42,69 | 54,70 | 60,50 |

Volumes (dm³)

| Length | 1 | 2 | 3 | 4 | 5 |
|-----------|------|------|------|------|------|
| • FHM 006 | 0,12 | - | - | - | - |
| • FHM 007 | - | 0,30 | 0,50 | - | - |
| • FHM 010 | - | 0,30 | 0,50 | - | - |
| • FHM 050 | 0,29 | 0,38 | 0,48 | 0,60 | 0,89 |
| • FHM 065 | 0,27 | 0,34 | 0,56 | - | - |
| • FHM 135 | 0,49 | 0,82 | 1,03 | - | - |
| • FHM 320 | 1,04 | 1,76 | 2,53 | 3,36 | - |
| • FHM 500 | 1,63 | 2,35 | 2,96 | 5,11 | 6,44 |

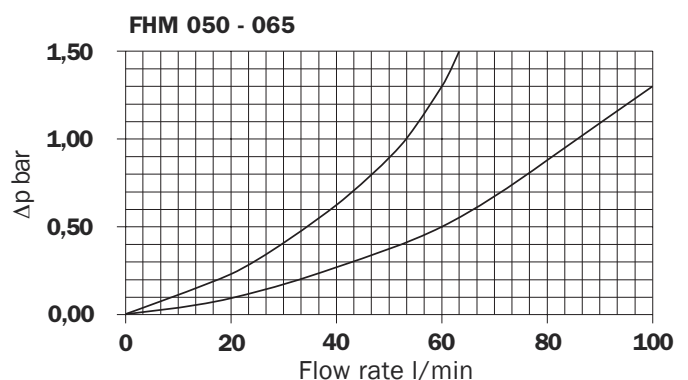
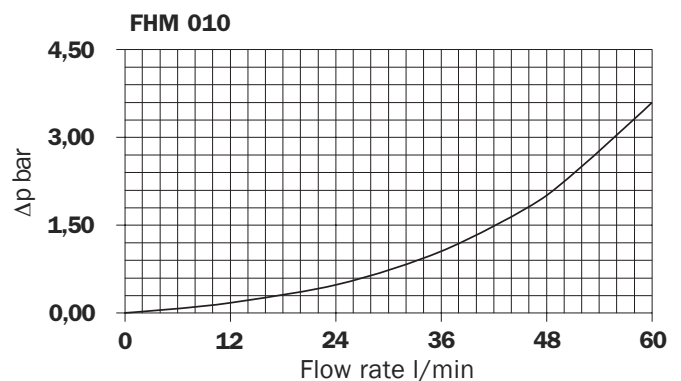
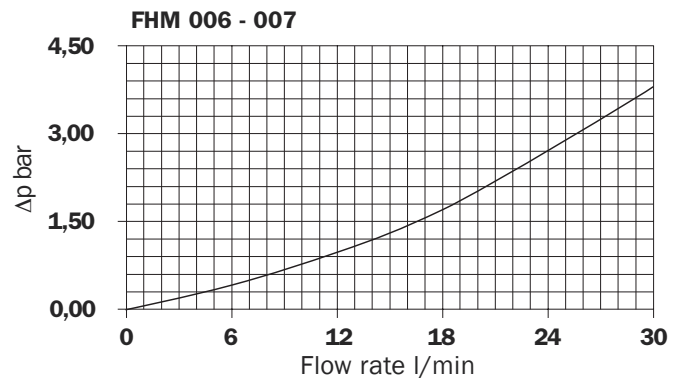
Connections

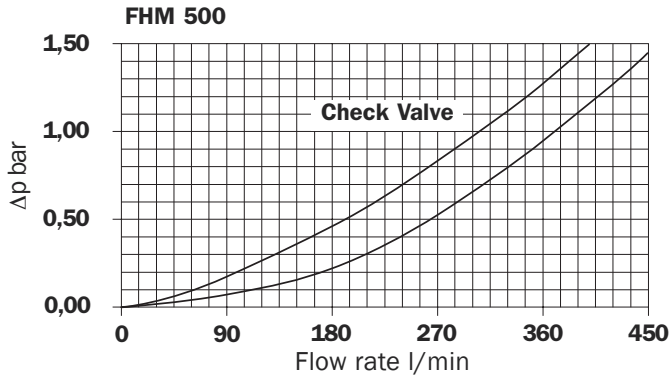
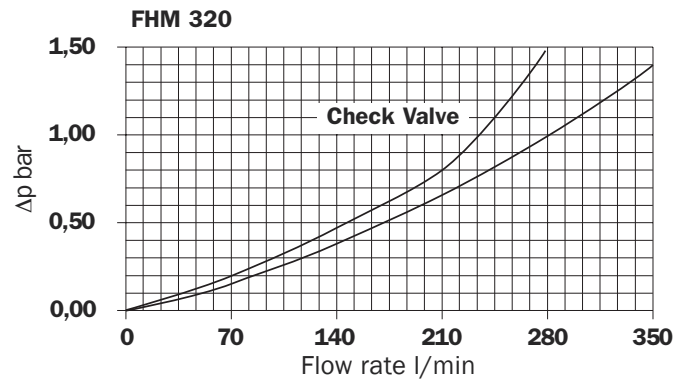
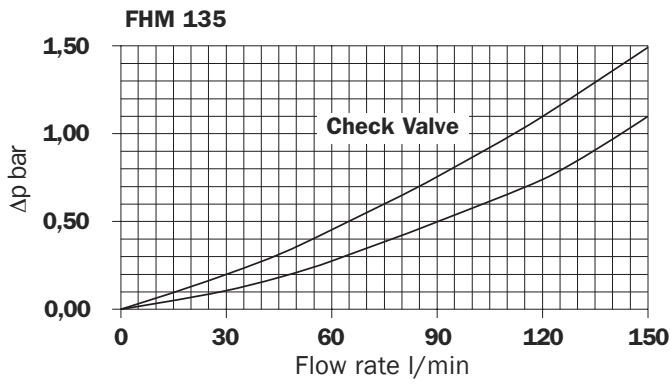
- FHM: Manifold mounting

Filter housings Δp pressure drop

The curves are plotted utilising mineral oil with density of 0,86 kg/dm³ to ISO 3968.

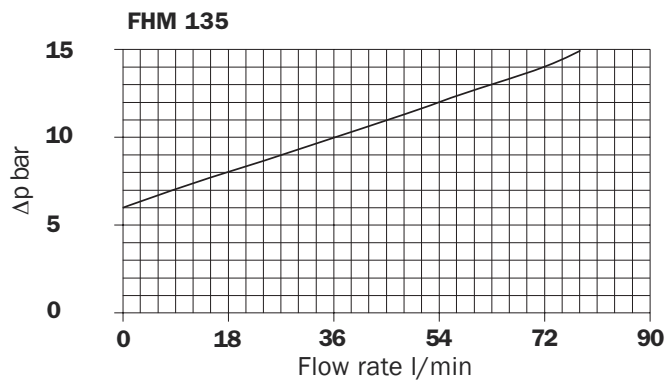
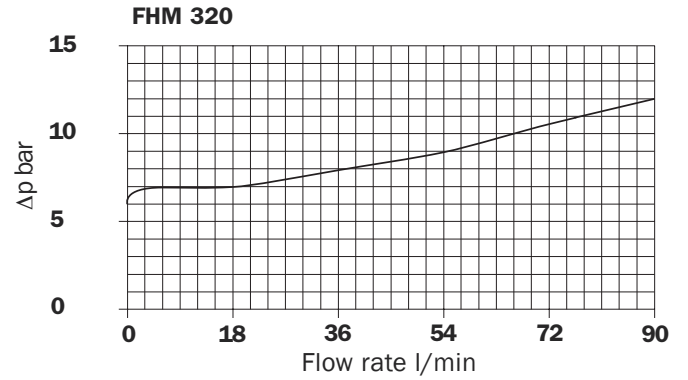
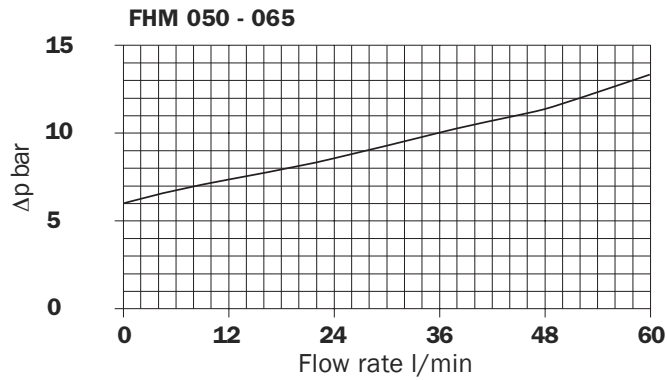
Δp varies proportionally with density.





Valves

Bypass valve pressure drop



Recommended maximum flow rate

- Pressure drop of filter assembly equal to Δp 1,5 bar.
- Oil kinematic viscosity 30 mm²/s (cSt).
- Density 0,86 kg/dm³.

| Length | Filtration | | | | |
|--------|------------|-----|-----|-----|-----|
| | A03 | A06 | A10 | A16 | A25 |

| | | | | | | |
|----------------|---|---|---|----|----|----|
| FHM 006 | 1 | 8 | 9 | 12 | 13 | 14 |
|----------------|---|---|---|----|----|----|

Serie H - Flow rate l/min

| Length | Filtration | | | | |
|--------|------------|-----|-----|-----|-----|
| | A03 | A06 | A10 | A16 | A25 |

| | | | | | | |
|----------------|---|----|----|----|----|----|
| FHM 007 | 2 | 12 | 13 | 14 | 15 | 16 |
|----------------|---|----|----|----|----|----|

| | | | | | | |
|--|---|----|----|----|----|----|
| | 3 | 13 | 14 | 15 | 16 | 17 |
|--|---|----|----|----|----|----|

Serie H - Flow rate l/min

| Length | Filtration | | | | |
|--------|------------|-----|-----|-----|-----|
| | A03 | A06 | A10 | A16 | A25 |

| | | | | | | |
|----------------|---|----|----|----|----|----|
| FHM 010 | 2 | 19 | 21 | 27 | 28 | 31 |
|----------------|---|----|----|----|----|----|

| | | | | | | |
|--|---|----|----|----|----|----|
| | 3 | 26 | 27 | 31 | 32 | 33 |
|--|---|----|----|----|----|----|

Serie H - Flow rate l/min

| Length | Filtration | | | | | |
|--------|------------|-----|-----|-----|-----|-----|
| | A03 | A06 | A10 | A16 | A25 | M25 |

| | | | | | | | |
|----------------|---|----|----|----|----|----|-----|
| FHM 050 | 1 | 38 | 39 | 65 | 67 | 80 | 100 |
|----------------|---|----|----|----|----|----|-----|

| | | | | | | | |
|--|---|----|----|----|----|----|-----|
| | 2 | 46 | 50 | 68 | 75 | 88 | 102 |
|--|---|----|----|----|----|----|-----|

| | | | | | | | |
|--|---|----|----|----|----|----|-----|
| | 3 | 56 | 58 | 75 | 80 | 93 | 103 |
|--|---|----|----|----|----|----|-----|

| | | | | | | | |
|--|---|----|----|----|----|----|-----|
| | 4 | 67 | 70 | 84 | 85 | 95 | 104 |
|--|---|----|----|----|----|----|-----|

| | | | | | | | |
|--|---|----|----|----|----|-----|-----|
| | 5 | 81 | 82 | 93 | 95 | 100 | 105 |
|--|---|----|----|----|----|-----|-----|

Serie N - Flow rate l/min

| Length | Filtration | | | | |
|--------|------------|-----|-----|-----|-----|
| | A03 | A06 | A10 | A16 | A25 |

| | | | | | | |
|----------------|---|----|----|----|----|----|
| FHM 050 | 1 | 28 | 36 | 50 | 52 | 62 |
|----------------|---|----|----|----|----|----|

| | | | | | | |
|--|---|----|----|----|----|----|
| | 2 | 41 | 44 | 63 | 70 | 85 |
|--|---|----|----|----|----|----|

| | | | | | | |
|--|---|----|----|----|----|----|
| | 3 | 51 | 53 | 71 | 77 | 90 |
|--|---|----|----|----|----|----|

| | | | | | | |
|--|---|----|----|----|----|----|
| | 4 | 62 | 65 | 80 | 81 | 92 |
|--|---|----|----|----|----|----|

| | | | | | | |
|--|---|----|----|----|----|----|
| | 5 | 73 | 74 | 83 | 88 | 97 |
|--|---|----|----|----|----|----|

Serie H - Flow rate l/min

| Length | Filtration | | | | | |
|--------|------------|-----|-----|-----|-----|-----|
| | A03 | A06 | A10 | A16 | A25 | M25 |

| | | | | | | | |
|----------------|---|----|----|----|----|----|-----|
| FHM 065 | 1 | 23 | 30 | 47 | 53 | 71 | 102 |
|----------------|---|----|----|----|----|----|-----|

| | | | | | | | |
|--|---|----|----|----|----|----|-----|
| | 2 | 30 | 44 | 58 | 63 | 80 | 103 |
|--|---|----|----|----|----|----|-----|

| | | | | | | | |
|--|---|----|----|----|----|----|-----|
| | 3 | 51 | 59 | 78 | 82 | 92 | 105 |
|--|---|----|----|----|----|----|-----|

Serie N - Flow rate l/min

| Length | Filtration | | | | |
|--------|------------|-----|-----|-----|-----|
| | A03 | A06 | A10 | A16 | A25 |

| | | | | | | |
|----------------|---|----|----|----|----|----|
| FHM 065 | 1 | 22 | 23 | 43 | 50 | 67 |
|----------------|---|----|----|----|----|----|

| | | | | | | |
|--|---|----|----|----|----|----|
| | 2 | 30 | 34 | 56 | 62 | 75 |
|--|---|----|----|----|----|----|

| | | | | | | |
|--|---|----|----|----|----|----|
| | 3 | 51 | 57 | 76 | 81 | 91 |
|--|---|----|----|----|----|----|

Serie H - Flow rate l/min

| Length | Filtration | | | | | |
|--------|------------|-----|-----|-----|-----|-----|
| | A03 | A06 | A10 | A16 | A25 | M25 |

| | | | | | | | |
|----------------|---|----|----|----|-----|-----|-----|
| FHM 135 | 1 | 60 | 65 | 98 | 104 | 130 | 149 |
|----------------|---|----|----|----|-----|-----|-----|

| | | | | | | | |
|--|---|----|----|-----|-----|-----|-----|
| | 2 | 90 | 96 | 117 | 119 | 154 | 165 |
|--|---|----|----|-----|-----|-----|-----|

| | | | | | | | |
|--|---|-----|-----|-----|-----|-----|-----|
| | 3 | 118 | 119 | 143 | 145 | 156 | 167 |
|--|---|-----|-----|-----|-----|-----|-----|

Serie N - Flow rate l/min

| Length | Filtration | | | | |
|--------|------------|-----|-----|-----|-----|
| | A03 | A06 | A10 | A16 | A25 |

| | | | | | | |
|----------------|---|----|----|----|----|-----|
| FHM 135 | 1 | 45 | 51 | 83 | 85 | 122 |
|----------------|---|----|----|----|----|-----|

| | | | | | | |
|--|---|----|----|-----|-----|-----|
| | 2 | 78 | 91 | 109 | 110 | 134 |
|--|---|----|----|-----|-----|-----|

| | | | | | | |
|--|---|-----|-----|-----|-----|-----|
| | 3 | 102 | 111 | 130 | 136 | 146 |
|--|---|-----|-----|-----|-----|-----|

Serie H - Flow rate l/min

| Length | Filtration | | | | | |
|--------|------------|-----|-----|-----|-----|-----|
| | A03 | A06 | A10 | A16 | A25 | M25 |

| | | | | | | | |
|----------------|---|-----|-----|-----|-----|-----|-----|
| FHM 320 | 1 | 111 | 121 | 187 | 217 | 252 | 310 |
|----------------|---|-----|-----|-----|-----|-----|-----|

| | | | | | | | |
|--|---|-----|-----|-----|-----|-----|-----|
| | 2 | 200 | 215 | 280 | 292 | 320 | 328 |
|--|---|-----|-----|-----|-----|-----|-----|

| | | | | | | | |
|--|---|-----|-----|-----|-----|-----|-----|
| | 3 | 245 | 267 | 311 | 320 | 325 | 332 |
|--|---|-----|-----|-----|-----|-----|-----|

| | | | | | | | |
|--|---|-----|-----|-----|-----|-----|-----|
| | 4 | 266 | 280 | 314 | 325 | 336 | 340 |
|--|---|-----|-----|-----|-----|-----|-----|

Serie N - Flow rate l/min

| Length | Filtration | | | | |
|--------|------------|-----|-----|-----|-----|
| | A03 | A06 | A10 | A16 | A25 |

| | | | | | | |
|----------------|---|----|-----|-----|-----|-----|
| FHM 320 | 1 | 97 | 102 | 156 | 162 | 228 |
|----------------|---|----|-----|-----|-----|-----|

| | | | | | | |
|--|---|-----|-----|-----|-----|-----|
| | 2 | 162 | 181 | 236 | 240 | 282 |
|--|---|-----|-----|-----|-----|-----|

| | | | | | | |
|--|---|-----|-----|-----|-----|-----|
| | 3 | 206 | 233 | 275 | 280 | 305 |
|--|---|-----|-----|-----|-----|-----|

| | | | | | | |
|--|---|-----|-----|-----|-----|-----|
| | 4 | 232 | 246 | 280 | 284 | 310 |
|--|---|-----|-----|-----|-----|-----|

Serie H - Flow rate l/min

| Length | Filtration | | | | | |
|--------|------------|-----|-----|-----|-----|-----|
| | A03 | A06 | A10 | A16 | A25 | M25 |

| | | | | | | | |
|----------------|---|-----|-----|-----|-----|-----|-----|
| FHM 500 | 1 | 240 | 268 | 320 | 330 | 350 | 410 |
|----------------|---|-----|-----|-----|-----|-----|-----|

| | | | | | | | |
|--|---|-----|-----|-----|-----|-----|-----|
| | 2 | 275 | 298 | 345 | 350 | 375 | 420 |
|--|---|-----|-----|-----|-----|-----|-----|

| | | | | | | | |
|--|---|-----|-----|-----|-----|-----|-----|
| | 3 | 325 | 339 | 382 | 385 | 400 | 430 |
|--|---|-----|-----|-----|-----|-----|-----|

| | | | | | | | |
|--|---|-----|-----|-----|-----|-----|-----|
| | 4 | 348 | 370 | 395 | 400 | 410 | 440 |
|--|---|-----|-----|-----|-----|-----|-----|

| | | | | | | | |
|--|---|-----|-----|-----|-----|-----|-----|
| | 5 | 374 | 383 | 405 | 410 | 425 | 450 |
|--|---|-----|-----|-----|-----|-----|-----|

Serie N - Flow rate l/min

| Length | Filtration | | | | |
|--------|------------|-----|-----|-----|-----|
| | A03 | A06 | A10 | A16 | A25 |

| | | | | | | |
|----------------|---|-----|-----|-----|-----|-----|
| FHM 500 | 1 | 140 | 150 | 238 | 240 | 300 |
|----------------|---|-----|-----|-----|-----|-----|

| | | | | | | |
|--|---|-----|-----|-----|-----|-----|
| | 2 | 210 | 235 | 298 | 305 | 325 |
|--|---|-----|-----|-----|-----|-----|

| | | | | | | |
|--|---|-----|-----|-----|-----|-----|
| | 3 | 258 | 265 | 325 | 330 | 360 |
|--|---|-----|-----|-----|-----|-----|

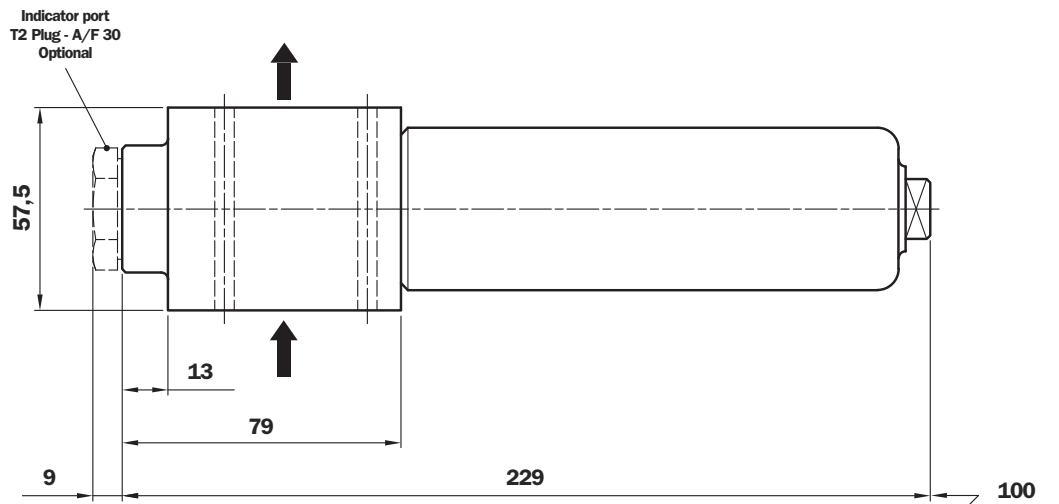
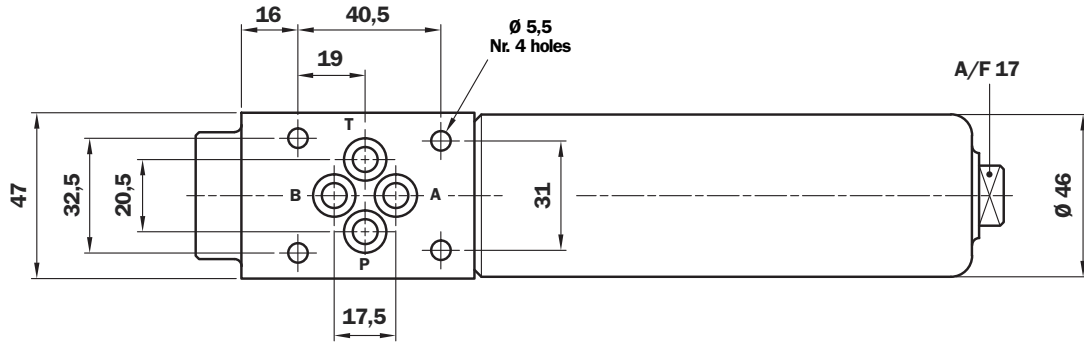
| | | | | | | |
|--|---|-----|-----|-----|-----|-----|
| | 4 | 287 | 315 | 360 | 365 | 390 |
|--|---|-----|-----|-----|-----|-----|

| | | | | | | |
|--|---|-----|-----|-----|-----|-----|
| | 5 | 340 | 347 | 385 | 390 | 410 |
|--|---|-----|-----|-----|-----|-----|

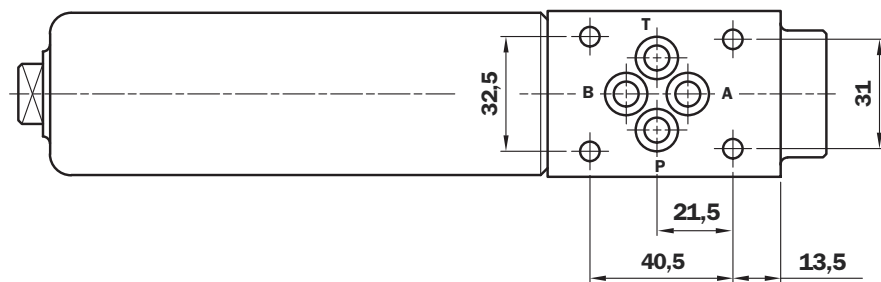
Serie H - Flow rate l/min

FHM 006

G1 - Housing side "A"



G2 - Housing side "B"

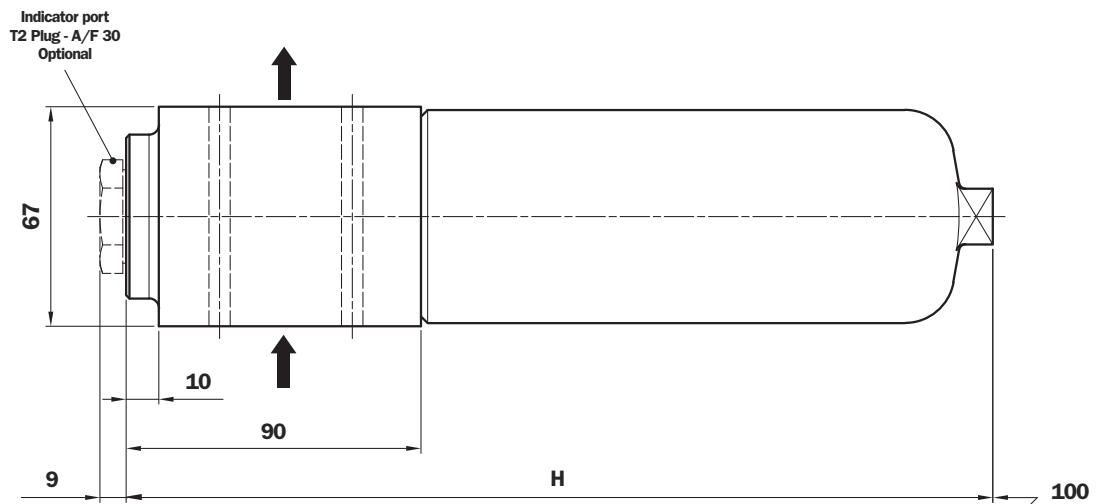
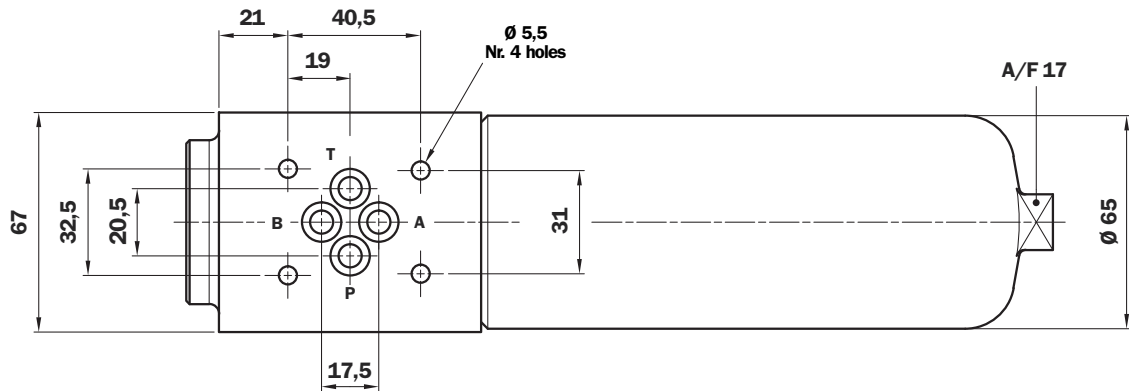


Manifold connections

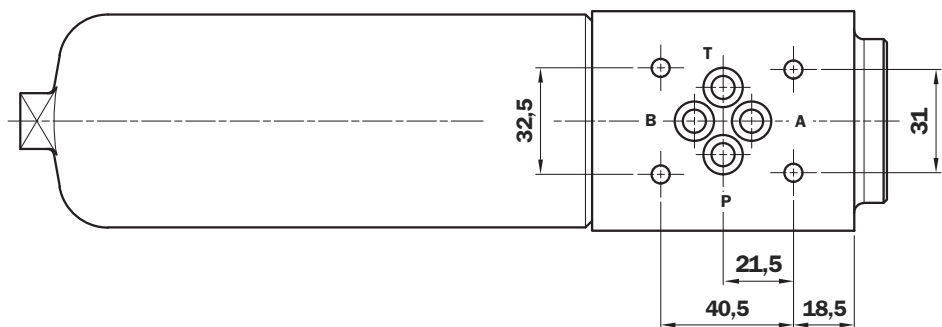
| Type | Size |
|------|------------------|
| G1 | Housing side "A" |
| G2 | Housing side "B" |

FHM 007

G1 - Housing side "A"



G2 - Housing side "B"



FHM 007

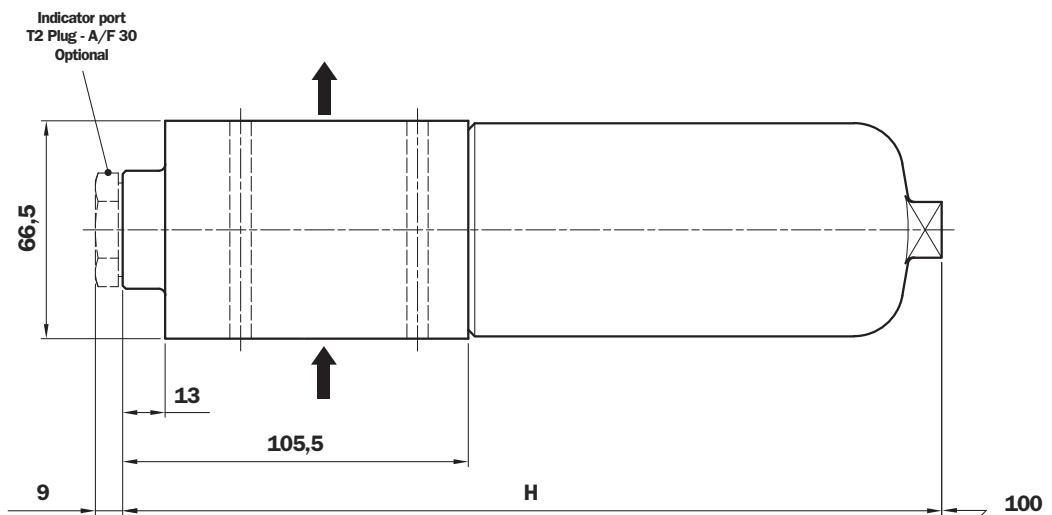
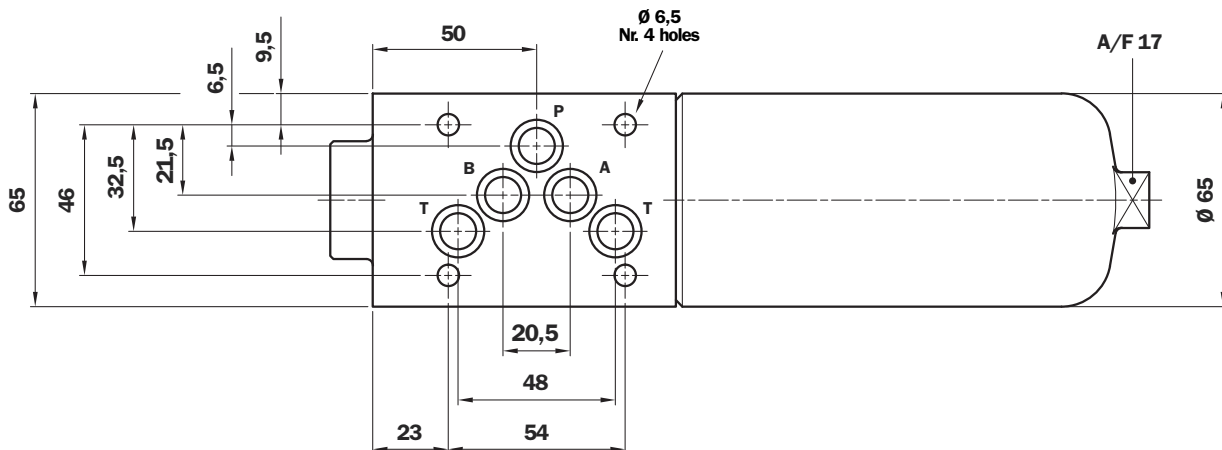
| Filter Length | H mm |
|---------------|------|
| 2 | 265 |
| 3 | 366 |

Manifold connections

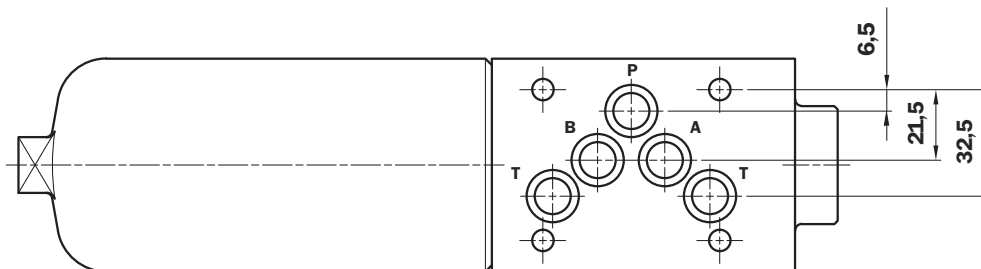
| Type | Size |
|------|------------------|
| G1 | Housing side "A" |
| G2 | Housing side "B" |

FHM 010

G1 - Housing side "A"



G2 - Housing side "B"



FHM 010

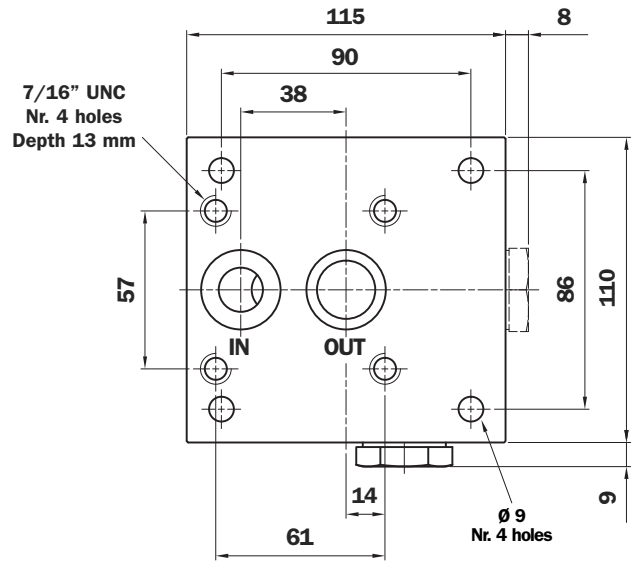
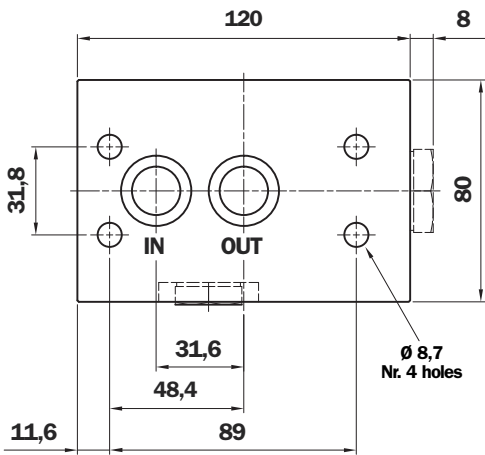
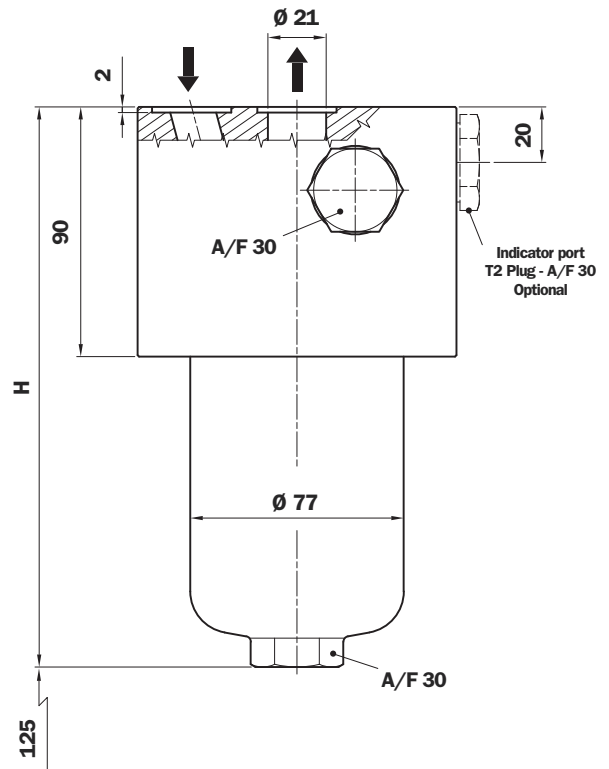
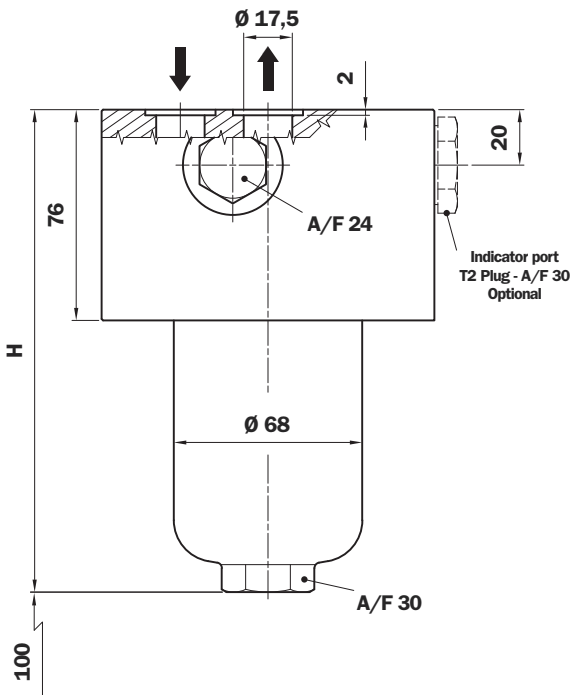
| Filter Length | H mm |
|---------------|------|
| 2 | 280 |
| 3 | 381 |

Manifold connections

| Type | Size |
|------|------------------|
| G1 | Housing side "A" |
| G2 | Housing side "B" |

FHM 050 - 065

FHM 135



FHM 050

| Filter Length | H mm |
|---------------|------|
| 1 | 154 |
| 2 | 191 |
| 3 | 233 |
| 4 | 281 |
| 5 | 403 |

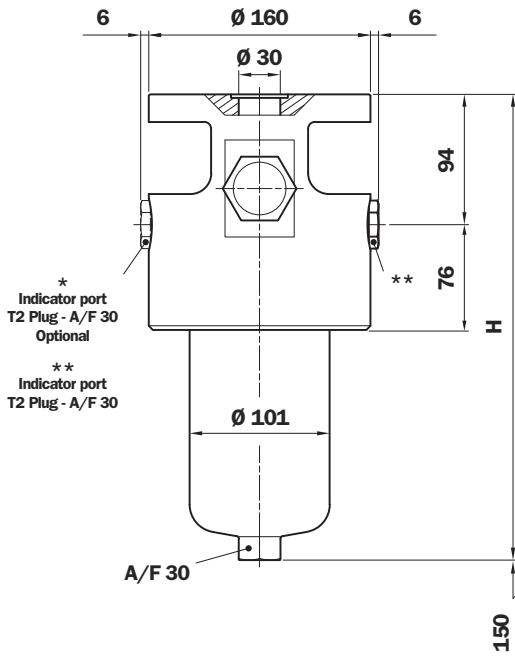
FHM 065

| Length Filter | H mm |
|---------------|------|
| 1 | 162 |
| 2 | 193 |
| 3 | 295 |

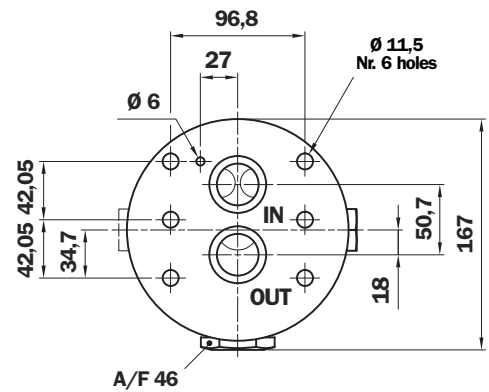
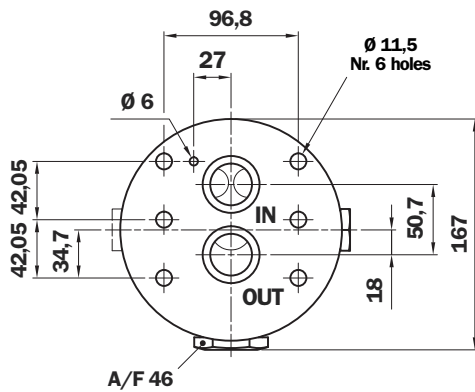
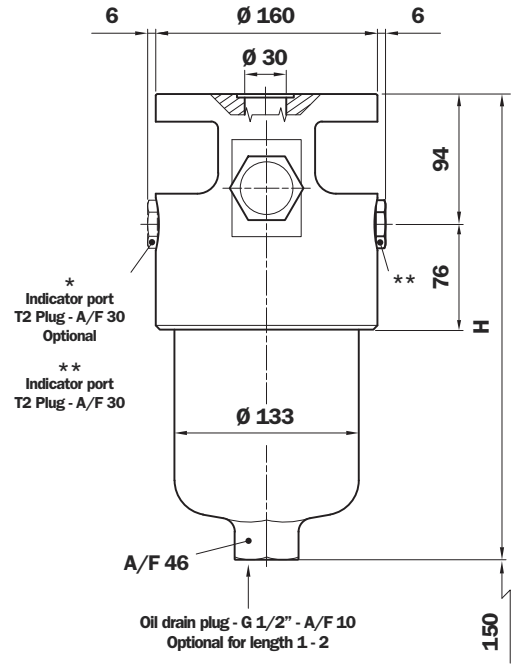
FHM 135

| Filter Length | H mm |
|---------------|------|
| 1 | 202 |
| 2 | 315 |
| 3 | 390 |

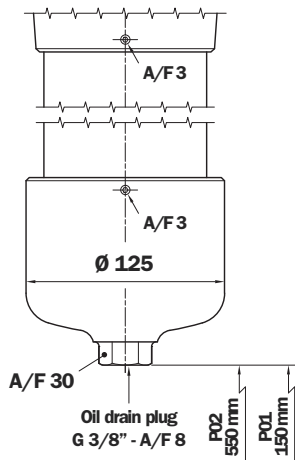
FHM 320



FHM 500



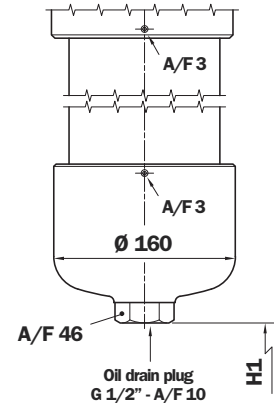
FHM 320 length 4



Style P01
Standard maintenance from head.

Style P02
Maintenance option from housing base.

FHM 500 length 4 - 5



FHM 320

| Filter Length | H mm |
|---------------|------|
| 1 | 293 |
| 2 | 416 |
| 3 | 548 |
| 4 | 702 |

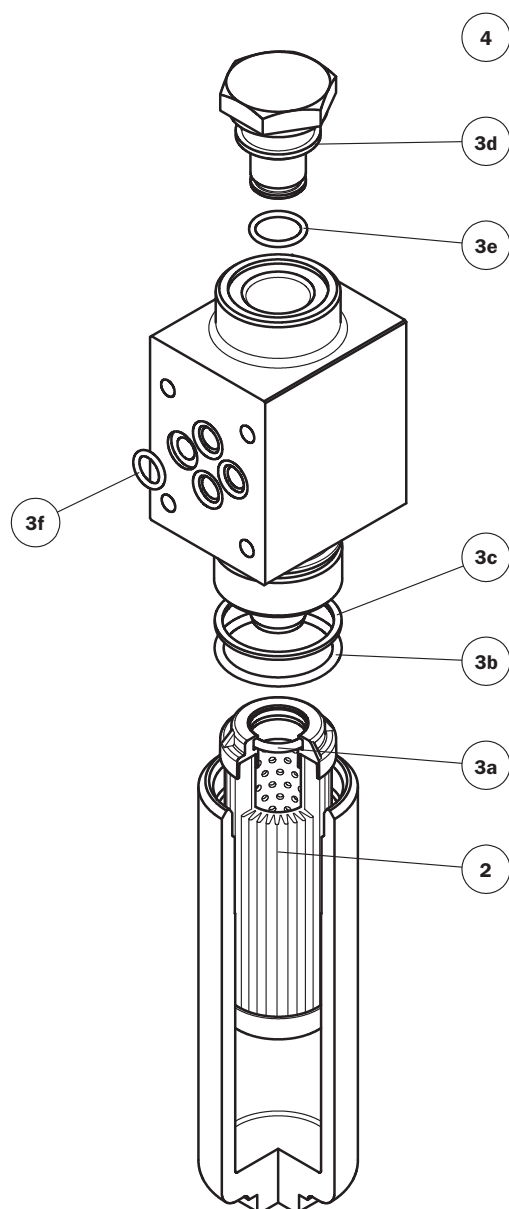
FHM 500

| Filter Length | H mm |
|---------------|------|
| 1 | 355 |
| 2 | 445 |
| 3 | 521 |
| 4 | 679 |
| 5 | 845 |

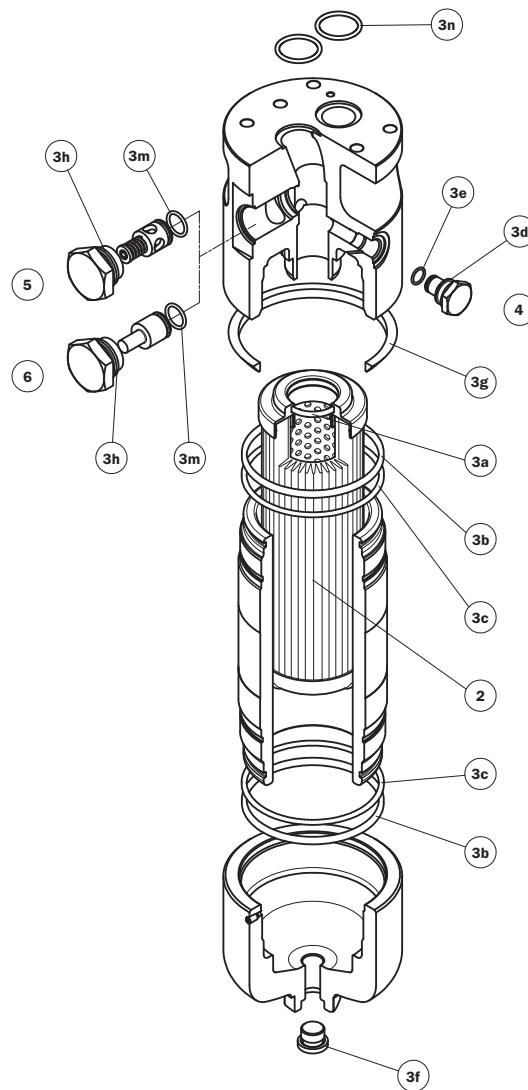
| Style P01 | |
|---------------|---------|
| Filter length | H1 (mm) |
| 4-5 | 150 |

| Style P02 | |
|---------------|---------|
| Filter length | H1 (mm) |
| 4 | 480 |
| 5 | 650 |

Spare parts



| Item | Description | Q.ty | FILTER Series | | | | | |
|------|---------------------------|------|------------------------------|--------------------------|------------------------------|--------------------------|------------------------------|----------------------------|
| | | | FHM 006 | | FHM 007 | | FHM 010 | |
| 1 | Filter assembly | 1 | See order table | | | | | |
| 2 | Filter element | 1 | See order table | | | | | |
| 3 | Seal Kit | 1 | NBR 02050324 | FPM 02050325 | NBR 02050600 | FPM 02050601 | NBR 02050320 | FPM 02050321 |
| 3a | Filter element seal | 1 | O-R 121 Ø 15,88 x 2,62 | | O-R 4100 Ø 24,99 x 3,53 | | O-R 4100 Ø 24,99 x 3,53 | |
| 3b | Bowl seal | 1 | O-R 3125 Ø 31,22 x 2,62 | | O-R 3187 Ø 47,29 x 2,62 | | O-R 3187 Ø 47,29 x 2,62 | |
| 3c | Bowl anti-extrusion ring | 1 | Parbak 124 Ø 32,21 x 2,18 | | Parbak 134 Ø 48,08 x 2,18 | | Parbak 134 Ø 48,08 x 2,18 | |
| 3d | Gasket | 1 | 01030058 (HNBR) | 01030046 (FPM) | 01030058 (HNBR) | 01030046 (FPM) | 01030058 (HNBR) | 01030046 (FPM) |
| 3e | O-Ring indicator | 1 | O-R 2050 Ø 12,42 x 1,78 | | O-R 2050 Ø 12,42 x 1,78 | | O-R 2050 Ø 12,42 x 1,78 | |
| 3f | Connection seal | 1 | 4 pcs | O-R 108 Ø 8,73 x 1,78 | 4 pcs | O-R 108 Ø 8,73 x 1,78 | 5 pcs | O-R 2050 Ø 12,42 x 1,78 |
| 4 | Indicator connection plug | 1 | T2H | T2V | T2H | T2V | T2H | T2V |



| Item | Description | Q.ty | FILTER Series | | | | | | | | | |
|------|---------------------------|------|-------------------------------------|-------------------|-------------------------------------|-------------------|--------------------------------------|-------------------|--------------------------------------|------------------------------------|--------------------------------------|-------------------|
| | | | FHM 050 | | FHM 065 | | FHM 135 | | FHM 320 | | FHM 500 | |
| 1 | Filter assembly | 1 | See order table | | | | | | | | | |
| 2 | Filter element | 1 | See order table | | | | | | | | | |
| 3 | Seal kit | 1 | NBR 02050410 | FPM 02050411 | NBR 02050268 | FPM 02050279 | NBR 02050271 | FPM 02050282 | NBR 02050275 | FPM 02050286 | NBR 02050332 | FPM 02050333 |
| 3a | Filter element seal | 1 | O-R 3093 Ø 23,67 x 2,62 | | O-R 4100 Ø 24,99 x 3,53 | | O-R 3106 Ø 26,65 x 2,62 | | O-R 144 Ø 39,69 x 3,53 | | O-R 153 Ø 49,21 x 3,53 | |
| 3b | Bowl seal | 1 | O-R 3225 Ø 56,82 x 2,62 | | O-R 159 Ø 55,56 x 3,53 | | O-R 3256 Ø 64,77 x 2,62 | | 2 pcs. O-R 3350 Ø 88,57 x 2,62 | 2 pcs. O-R 4462 Ø 117,10 x 3,53 | | |
| 3c | Bowl anti-extrusion ring | 1 | Parbak 139 Ø 56,03 x 2,18 | | Parbak 227 Ø 54,53 x 3 | | Parbak 144 Ø 63,96 x 2,18 | | 2 pcs. Parbak 153 Ø 89,36 x 2,18 | 2 pcs. Parbak 247 Ø 117,63 x 3 | | |
| 3d | Gasket | 1 | 01030058 (HNBR) | 01030046 (FPM) | 01030058 (HNBR) | 01030046 (FPM) | 01030058 (HNBR) | 01030046 (FPM) | 01030058 (HNBR) | 01030046 (FPM) | 01030058 (HNBR) | 01030046 (FPM) |
| 3e | O-Ring indicator | 1 | O-R 2050 Ø 12,42 x 1,78 | | O-R 2050 Ø 12,42 x 1,78 | | O-R 2050 Ø 12,42 x 1,78 | | O-R 2050 Ø 12,42 x 1,78 | | O-R 2050 Ø 12,42 x 1,78 | |
| 3f | Drain plug | 1 | - | | - | | - | | G 3/8" with seal | | G 1/2" with seal | |
| 3g | Protective seal | 1 | 01026521 | | 01026521 | | 01026509 | | 01026510 | | - | |
| 3h | Bp or no Bp O-Ring | 1 | O-R 121 (90 Sh A) Ø 15,88 x 2,62 | | O-R 121 (90 Sh A) Ø 15,88 x 2,62 | | O-R 3087 (90 Sh A) Ø 21,89 x 2,62 | | O-R 3143 (90 Sh A) Ø 36,14 x 2,62 | | O-R 3143 (90 Sh A) Ø 36,14 x 2,62 | |
| 3m | Bp or no Bp O-Ring | 1 | O-R 2031 Ø 7,66 x 1,78 | | O-R 2031 Ø 7,66 x 1,78 | | O-R 2037 Ø 9,25 x 1,78 | | O-R 3106 Ø 26,65 x 2,62 | | O-R 3106 Ø 26,65 x 2,62 | |
| 3n | Connection seal | 2 | O-R 3081 Ø 20,24 x 2,62 | | O-R 3081 Ø 20,24 x 2,628 | | O-R 3093 Ø 23,67 x 2,62 | | O-R 4137 Ø 34,52 x 3,53 | | O-R 4137 Ø 34,52 x 3,53 | |
| 4 | Indicator connection plug | 1 | T2H | T2V | T2H | T2V | T2H | T2V | T2H | T2V | T2H | T2V |
| 5 | Bypass assembly | 1 | 02001400 | 02001401 | 02001400 | 02001401 | 02001404 | 02001405 | 02001408 | 02001409 | 02001408 | 02001409 |
| 6 | Non-Bypass assembly | 1 | 02001402 | 02001403 | 02001402 | 02001403 | 02001406 | 02001407 | 02001410 | 02001411 | 02001410 | 02001411 |

Ordering information FHM

| | | | | | | | | |
|------------------------|--------------------------|--------------------------|--------------------------|--------------------------|--------------------------|--------------------------|--------------------------|--------------------------|
| Filter assembly | 1 | 2 | 3 | 4 | 5 | 6 | 7 | 8a |
| FHM | <input type="checkbox"/> | <input type="checkbox"/> | <input type="checkbox"/> | <input type="checkbox"/> | <input type="checkbox"/> | <input type="checkbox"/> | <input type="checkbox"/> | <input type="checkbox"/> |

Example: FHM 050 1 S A F1 A03 S P01

| | | | | | | |
|-----------------------|--------------------------|--------------------------|--------------------------|--------------------------|--------------------------|--------------------------|
| Filter element | 1 | 2 | 6 | 4 | 7 | 8b |
| HP | <input type="checkbox"/> | <input type="checkbox"/> | <input type="checkbox"/> | <input type="checkbox"/> | <input type="checkbox"/> | <input type="checkbox"/> |

Example: HP 050 1 A03 A S P01

1 - Style

| Filter | Filter element |
|--------|----------------|
| 006 | § See below |
| 007 | 065 |
| 010 | 065 |
| 050 | 050 |
| 065 | 065 |
| 135 | 135 |
| 320 | 320 |
| 500 | 500 |

2 - Filter length

| | | | | | |
|-----|---|---|---|---|---|
| 006 | 1 | | | | |
| 007 | | 2 | 3 | | |
| 010 | | 2 | 3 | | |
| 050 | 1 | 2 | 3 | 4 | 5 |
| 065 | 1 | 2 | 3 | | |
| 135 | 1 | 2 | 3 | | |
| 320 | 1 | 2 | 3 | 4 | |
| 500 | 1 | 2 | 3 | 4 | 5 |

3 - Valves

| | |
|----------|-------------------------------|
| S | Without bypass |
| B | With bypass |
| T | Without bypass + check valve* |
| D | With bypass + check valve* |

*Reduced cross-section oilways

N.B. Style 006 - 007 - 010 are available only in "S" version without bypass.

4 - Filter seals

| | |
|----------|-----|
| A | NBR |
| V | FPM |

5 - Connections

Manifold

| Type | Size |
|----------------------------|------------------|
| FHM 006 - 007 - 010 | |
| G1 | Housing side "A" |
| G2 | Housing side "B" |

| Type | Size |
|--|------|
| FHM 050 - 065 - 135 - 320 - 500 | |
| F1 | - |

6 - Filter element

| | | |
|------------|----------------------------|---|
| A03 | Inorganic microfibre 3 µm | Absolute filtration Inorganic Microfibre βx (c) ≥ 1000 |
| A06 | Inorganic microfibre 6 µm | |
| A10 | Inorganic microfibre 10 µm | |
| A16 | Inorganic microfibre 16 µm | |
| A25 | Inorganic microfibre 25 µm | |
| M25 | Wire mesh 25 µm | Nominal Filtration |

7 - Max filter element differential pressure

| | |
|----------|--|
| N | Δp 20 bar (excluded FHM 006 - 007 - 010) |
| H | Δp 210 bar |
| S | Δp 210 bar (only for FHM 050 - 500) |

8 - Option

a - Filter

| | |
|------------|--|
| P01 | MP Filtri standard |
| P02 | Maintenance from base of housing (only FHM 320 length 4 - FHM 500 length 4/5) |
| Pxx | Customer request |

b - Filter element

| | |
|------------|--------------------|
| P01 | MP Filtri standard |
| Pxx | Customer request |

§ Filter element for FHM 006:

- HP 011 3 A03 x H P01
- HP 011 3 A06 x H P01
- HP 011 3 A10 x H P01
- HP 011 3 A16 x H P01
- HP 011 3 A26 x H P01
- HP 011 3 M25 x H P01

"x" = seal

| | |
|----------|-----|
| A | NBR |
| V | FPM |

Indicator plug

Phosphated Steel plug T2 has to be ordered separately.

Code

| | |
|------------|----------|
| T2H | Seal NBR |
| T2V | Seal FPM |

For Clogging Indicator:
See page 324

MP Filtri - The filter functions as described in this bulletin are valid exclusively for original MP Filtri filter elements and replacement parts. All rights reserved.

The data in this publication are purely guideline. MP Filtri reserves the right to make changes to the models described herein at any time it deems fit in relation to technical or commercial requirements. The colours of the products shown on the cover are purely guideline. Copyright. All rights reserved.