

Non-Return Valve

NRV-Type



Key Features:

- Flange and valve integrated in the same body
- Connection for circuit pressure reading
- Easy to use
- Can be used with Berarma Size 2 and 3 pumps, but thanks to their modular design they can be installed in any system

Series/ Name	Dimensions	Nominal Load (L/min) [US gpm]	Maximum Operating Pressure (bar) [psi]	Opening pressure (bar) [psi]
01-NRV-2	1" SAE J518 3000 series	250 [66]	300 [4351]	1 [14.5]
01-NRV-3	1"1/4 SAE J518 3000 series	350 [92]	300 [4351]	1 [14.5]



CONTENTS

GENERAL DESCRIPTION	G-3
ORDERING CODE	G-4
TECHNICAL DATA	G-4
OVERALL DIMENSIONS	G-5

WARNING

All Berarma pumps have been carefully checked during manufacture and subjected to stringent testing cycles before shipment. To achieve optimum performance, avoid problems and maintain the warranty, the installation instructions enclosed with each pump must be strictly observed.

NOTES

Before selection or use of any Berarma product, it is important that the purchaser analyses all aspects of its application and reviews the information in the current Berarma Technical-Sales catalogues. Due to the many different operating conditions and applications for Berarma products, the purchaser, through their own analysis and testing, is solely responsible for making the final selection of the products and assuring that all performance and safety requirements are met.

Berarma S.r.l. accepts no responsibility for any editing mistakes in this catalogue.
Berarma S.r.l. reserves the right to modify these data without prior notice.

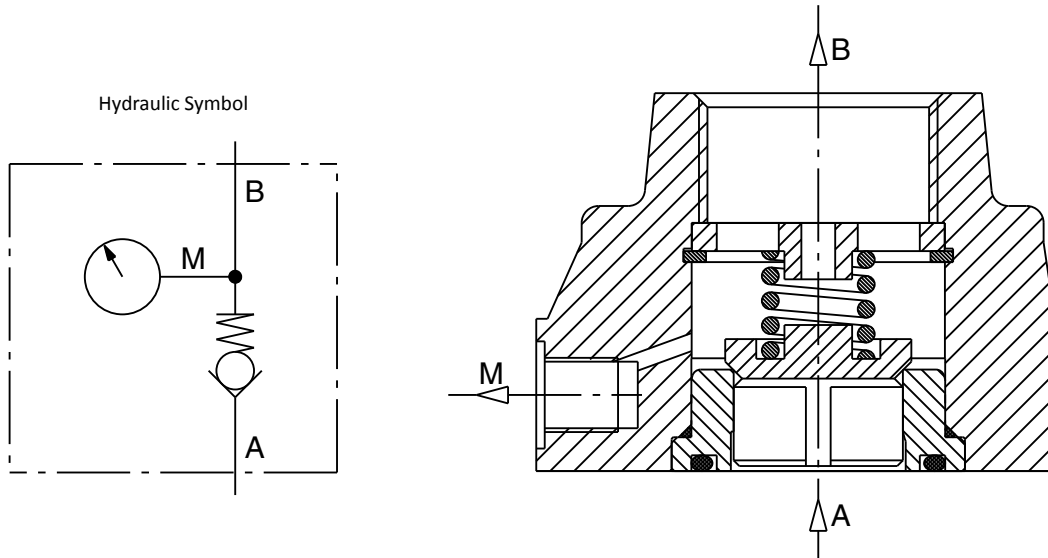


GENERAL DESCRIPTION

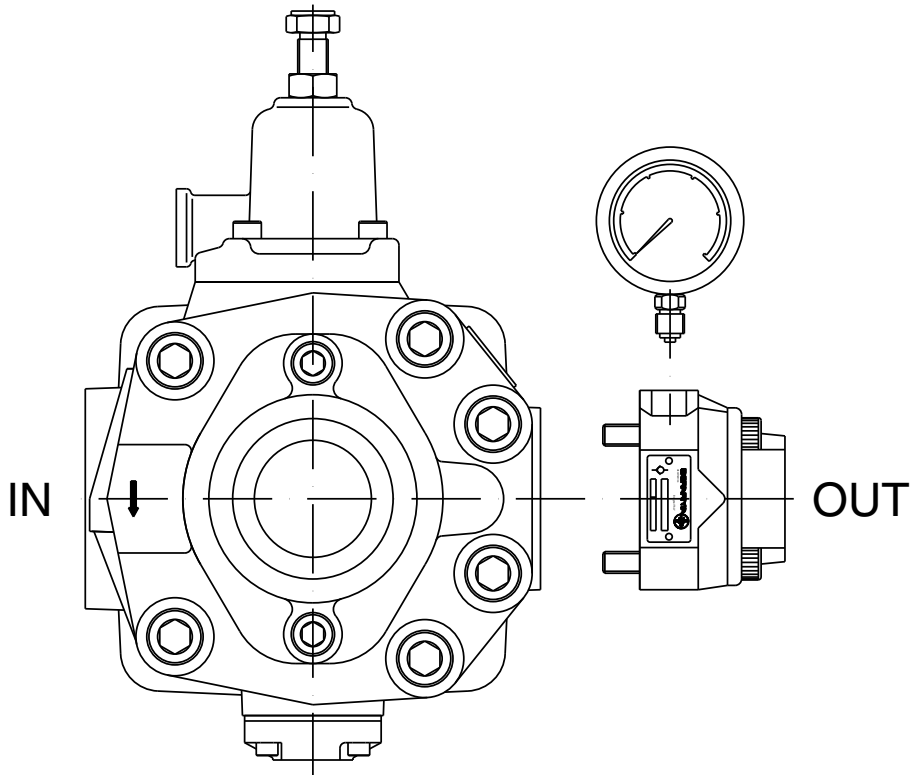
Berarma NRV non-return valves (check valves) are produced with an SAE J518 (3000 series) configuration with BSP thread ports.

The integration of valve and flange in the same body (where a port connection for circuit pressure reading is housed) makes them easy and cheap to use.

These valves are designed to be used on Berarma Size 2 and Size 3 pumps, but thanks to their modular design can be installed in any other system with an SAE J518 (3000 series) configuration with 1" (NRV 2) or 1"1/4 (NRV 3) BSP thread.



A - Inlet
B - Outlet
M - Pressure gauge port connection



ORDERING CODE

	①	②	③	④	⑤	⑥
	SERIES	NAME	SIZE	PRESSURE SETTING	SUPPLY	PRESSURE PORT
E.G.	01	NRV	2	L	M	PL

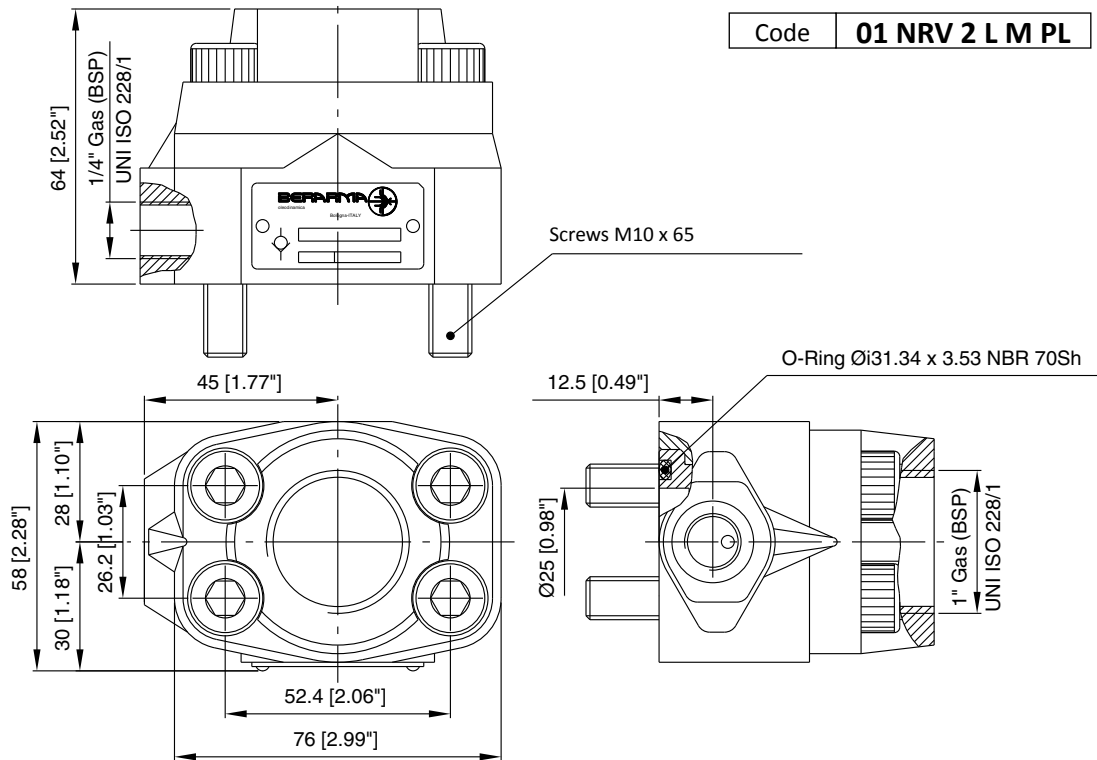
- 1** VALVE SERIES = 01
- 2** VALVE NAME = NRV
- 3** NOMINAL SIZE = 2 (DN25) - 3 (DN32)
- 4** PRESSURE SETTING = L (Opening pressure 1 bar [14.5 psi])
- 5** SUPPLY = M (Supplied with O-Ring and screws)
- 6** PRESSURE PORT = PL (Circuit pressure)

TECHNICAL DATA

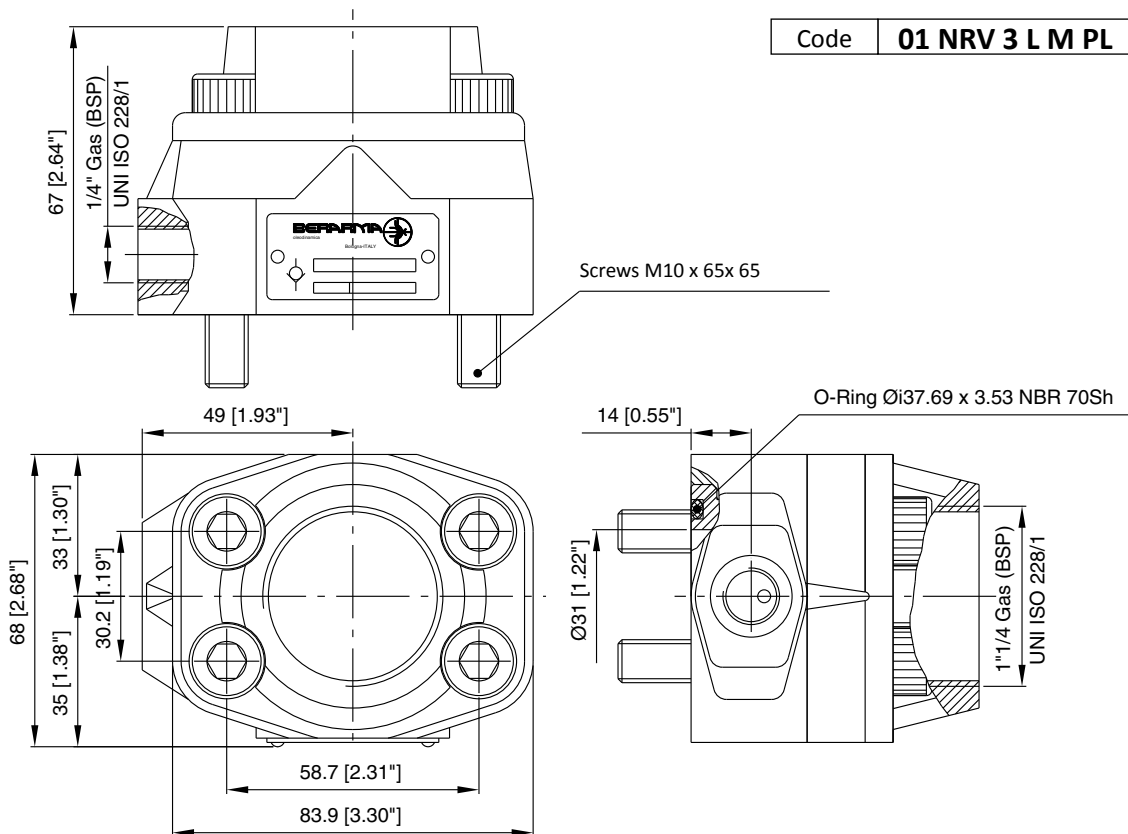
ORDERING CODE	01 NRV 2 L-M-PL	01 NRV 3 L-M-PL
Nominal size (DN)	25	32
Nominal flow (L/min) [USgmp]	250 [66.04]	350 [92.46]
Maximum working pressure (bar) [psi]	300 [4350]	
Opening pressure (bar) [psi]	1 [14.5]	
Hydraulic fluid	HM hydraulic oil according to ISO 6743/4; HLP hydraulic oil according to DIN 51524/2 organic ester HFD-U according ID ISO 6743/4 (Quintolubric N822-300) for other fluids contact Berarma Technical-Sales Service	
Viscosity range (cSt, mm ² /s)	10 - 380	
Fluid temperature range (°C) [°F]	-10 / +80 [14 / 176]	
Weight (kg) [lb]	1.4 [3.1]	1.8 [4]
For different operating conditions, please contact Berarma Technical Service		



OVERALL DIMENSIONS



Note: dimensions inside [] are in inches



Note: dimensions inside [] are in inches

Berarma S.r.l. accepts no responsibility for any editing mistakes in this catalogue.
Berarma S.r.l. reserves the right to modify these data without prior notice.

OVERALL DIMENSIONS