

## Silencer (resin type) Series AN

### Features

- Space saving, compact profile.
- High noise reduction.
- High flow capacity.
- Easy connection.



One-touch Fitting

Male Thread

### How to Order

Male Thread AN 20 - 02

Body size

Symbol
05
10
15
20
30
40

Thread type

	M thread	R
-		

Thread connection port size

Symbol	Port size	Applicable model
M5	M5 x 0.8	AN05
01	1/8	AN10
02	1/4	AN15/20
03	3/8	AN30
04	1/2	AN40

### Symbol



One-touch Fitting AN 20 - C 10

Body size

Symbol
10
15
20
30

Applicable one-touch fitting size

Symbol	Port size	Applicable model
06	ø6	AN10
07	ø1/4	AN10
08	ø8	AN15
10	ø10	AN20
11	ø3/8	AN20
12	ø12	AN30

Connection type

Symbol	Connection type
C	One-touch fitting connection

### Product Recommendation



Stocked items for fast delivery

AN05-M5	AN15-02	AN30-03	AN10-C06	AN20-C10
AN10-01	AN20-02	AN40-04	AN15-C08	AN30-C12



### Related Products

- Series VHS - Residual Relief 3 Port Valve - page 552
- Series VBA - Air Booster Regulator - page 1125
- Series PA - Process Pump - page 1473
- Series SYJ300/500/700 - Valves - page 369
- Series VQC - Valves - page 193, 211
- Series SV - Valves - page 20

### Specifications

Fluid	Compressed air
Max. operating pressure	1.0 MPa <sup>Note 1)</sup>
Noise reduction	30 dB(A) <sup>Note 2)</sup>
Ambient and fluid temperature	5 to 60°C <sup>Note 3)</sup>
Sonic conductance C	1 to 18 dm <sup>3</sup> /(s.bar)
Weight [g]	0.5 to 8.5

Note 1) Inlet pressure for solenoid valve.

Note 2) Noise reduction varies depending on the pneumatic circuit and/or pressure that is exhausted from the solenoid valve.

Note 3) If there is no risk of water droplets forming and freezing, this product can be used with temperatures between -10°C to +60°C.

## Flow Specifications

### Male Thread

Model	Effective area [mm <sup>2</sup> ]	Sonic conductance C [dm <sup>3</sup> /(s·bar)]	Recommended flow m <sup>3</sup> /min(ANR)	Weight [g]
AN05-M5	5	1	0.4 or less	0.5
AN10-01	10	2	0.8 or less	1
AN15-02	15	3	1.0 or less	2.5
AN20-02	35	7	3.0 or less	4
AN30-03	60	12	5.0 or less	5.5
AN40-04	90	18	8.0 or less	8.5

### One-touch Fitting

Model	Effective area [mm <sup>2</sup> ]	Sonic conductance C [dm <sup>3</sup> /(s·bar)]	Recommended flow m <sup>3</sup> /min (ANR)	Weight [g]
AN10-C06	7	1.4	0.8 or less	1
AN10-C07				1
AN15-C08	20	4	3.0 or less	1.4
AN20-C10	30	6	5.0 or less	3.5
AN20-C11	25	5	3.0 or less	3.5
AN30-C12	41	8.2	5.0 or less	5

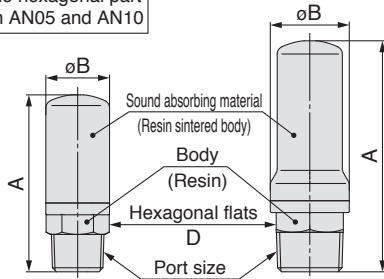
Note) Recommended flow rate is the flow at 0.5 MPa in the inlet pressure.

## Dimensions

AN05/10/20

AN15/30/40

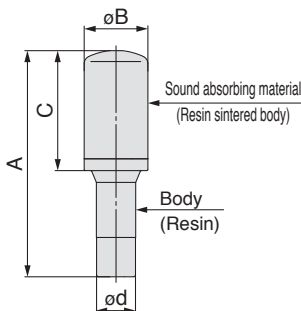
No hexagonal part in AN05 and AN10



Dimensions [mm]

Model	Connection thread M5. R	A	B	D
AN05-M5	M5 x 0.8	15	6.5	–
AN10-01	1/8	23	11	–
AN15-02	1/4	32	16	14
AN20-02	1/4	45	16.5	14
AN30-03	3/8	58.5	20	17
AN40-04	1/2	68	24	21

AN10-C to 30-C



Dimensions [mm]

Model	A	B	C	ød
AN10-C06	36.5	11	14.5	ø6
AN10-C07				ø1/4
AN15-C08	45	13	20	ø8
AN20-C10	57.5	16.5	30.5	ø10
AN20-C11				ø3/8
AN30-C12	71.5	20	43.5	ø12



