

## ISO 05 MANIFOLDS type **MRK5** REAR PORTS



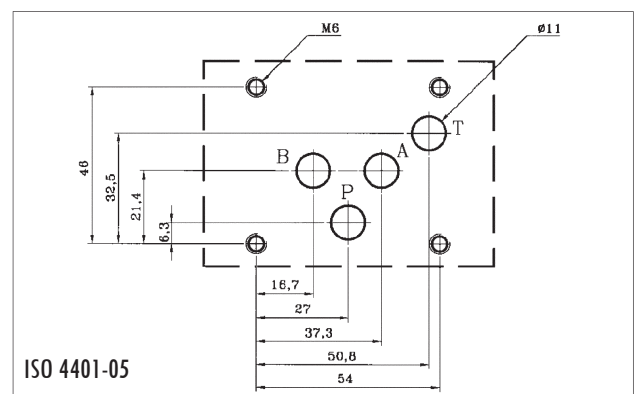
- A and B ports (1/2" BSP) rear position
- P and T ports (3/4" and 1" BSP) pass-through on terminal surfaces
- Internal P and T parallel link type
  
- Manifolds 2 to 8 stations for oil hydraulic 4-way valves, ISO 05 interface.
  
- **Material:** cast iron GG 25
- **Surface:** manganese black phosphating
  
- **P max:** P, A, B and T = 300 bar
  
- **Max recommended flow:** 80 up to 120 l/min, decreasing with the number of stations.
  
- **Ports:** female BSP cylindrical threads, with perpendicularity surface at Ra max 1,6, for assembly of standardized fittings.

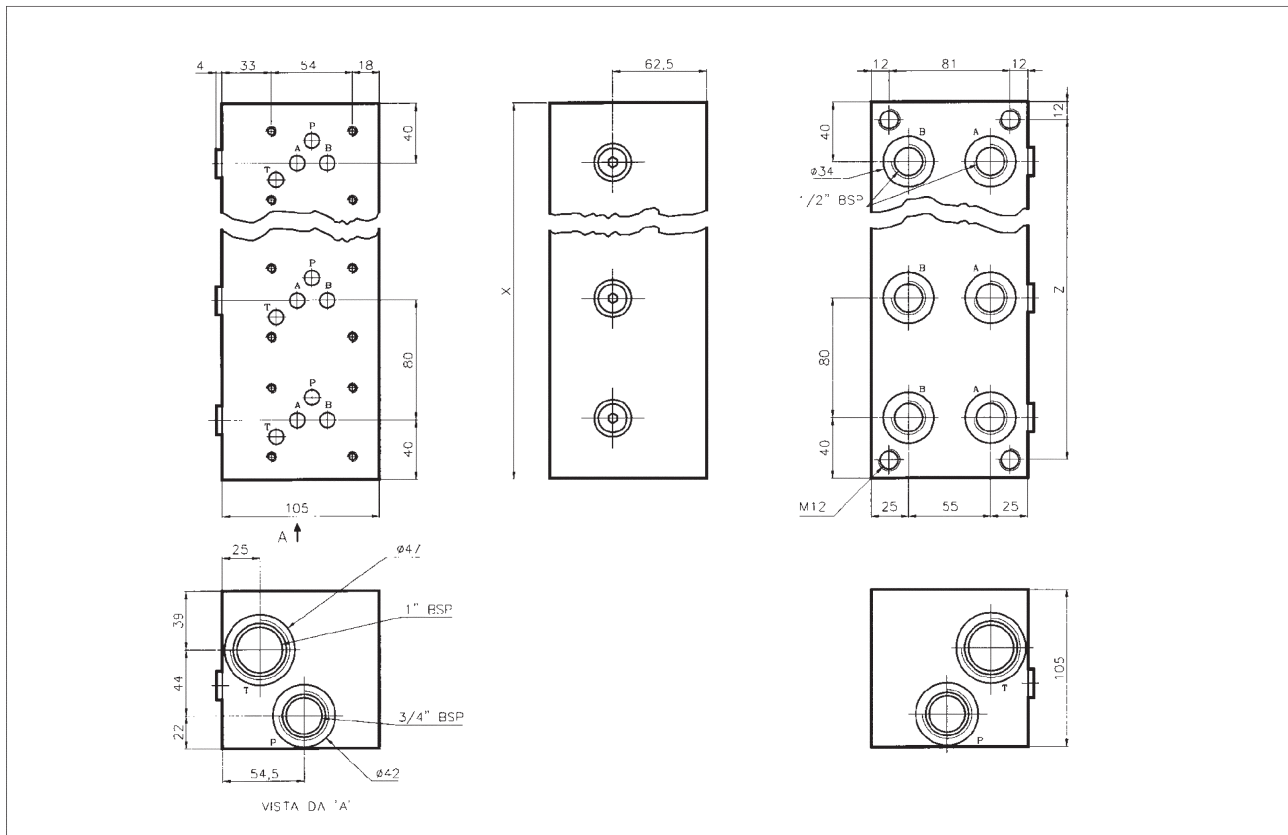
A and B: 1/2" BSP. One couple each station.

P: 3/4" BSP and T: 1" BSP. Two couples on terminal faces. They allow, if required, a double inlet (P) or a double discharge (T). Ports unused have to be plugged.

(\* ) By using both couples of ports P and T, the "Qmax recommended" valves can be increased.

Type	ISO 05 Station	Qmax recommended (*) l/min
<b>MRK5-2G</b>	2	120
<b>MRK5-3G</b>	3	100
<b>MRK5-4G</b>	4	100
<b>MRK5-5G</b>	5	100
<b>MRK5-6G</b>	6	100
<b>MRK5-7G</b>	7	80
<b>MRK5-8G</b>	8	80





Type	X (mm)	Z (mm)	mass (kg)
<b>MRK5-2G</b>	160	136	11,30
<b>MRK5-3G</b>	240	216	17,00
<b>MRK5-4G</b>	320	296	22,70
<b>MRK5-5G</b>	400	376	28,50
<b>MRK5-6G</b>	480	456	34,20
<b>MRK5-7G</b>	560	536	39,90
<b>MRK5-8G</b>	640	616	45,60

■ **Manifold mounting:**

- 4 threaded holes M12 on rear face

■ **Valves' assembly interface:**

Planarity: 0,01/100  
: Ra 0,8