

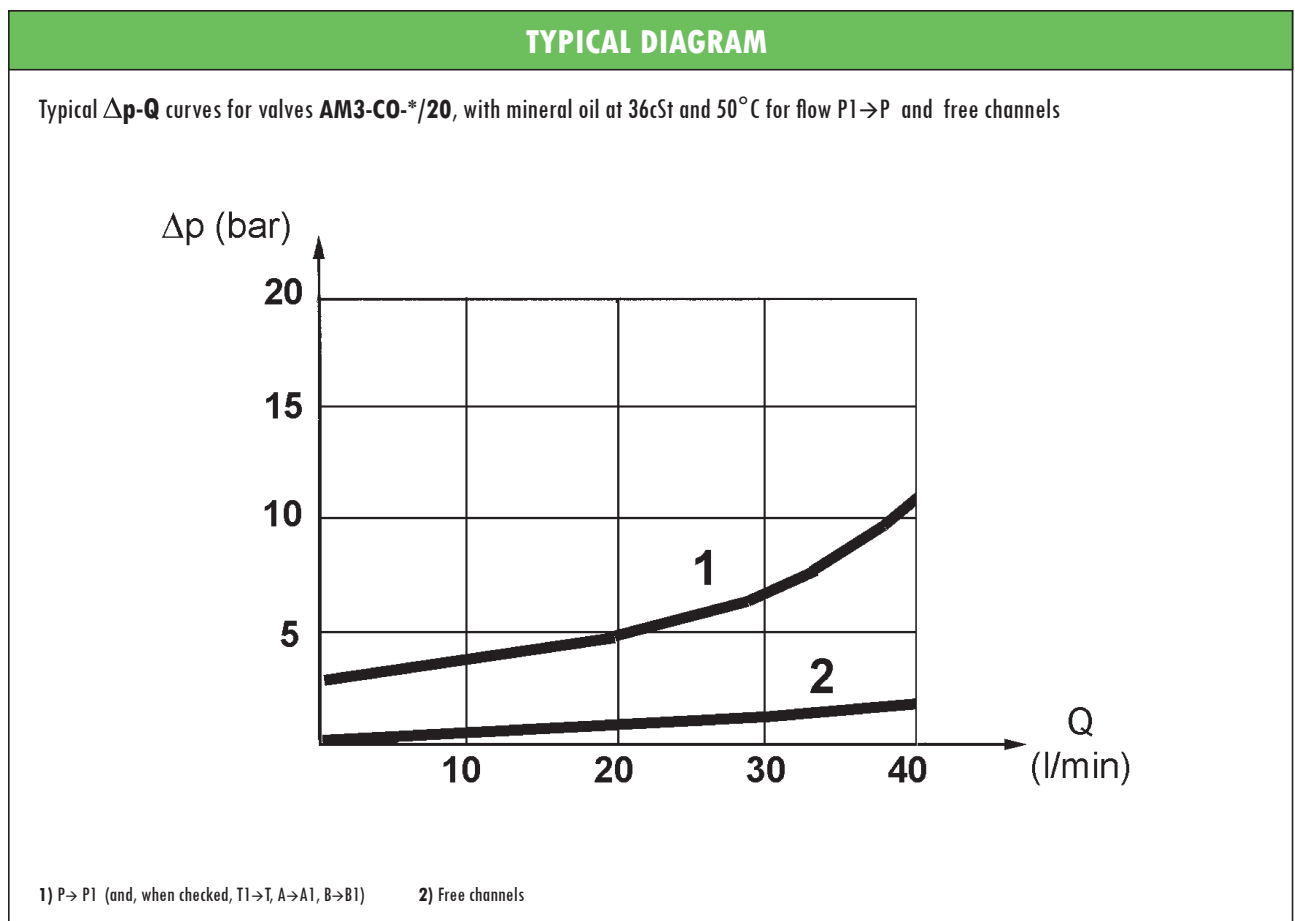
ISO 03 HYDRAULIC STACKABLE CHECK VALVES type **AM3-CO** DIRECT ACTING

- Hydraulic check valves, direct acting
- **ISO 03** interface, stackable assembly
- Max operating pressure: 320 bar
- Max recommended flow: 40 l/min
- Mass: 1,0 kg
- Suitable for mineral oil according to ISO 18/16/14 filtration class or better.
Recommended viscosity range: 10 to 60cSt

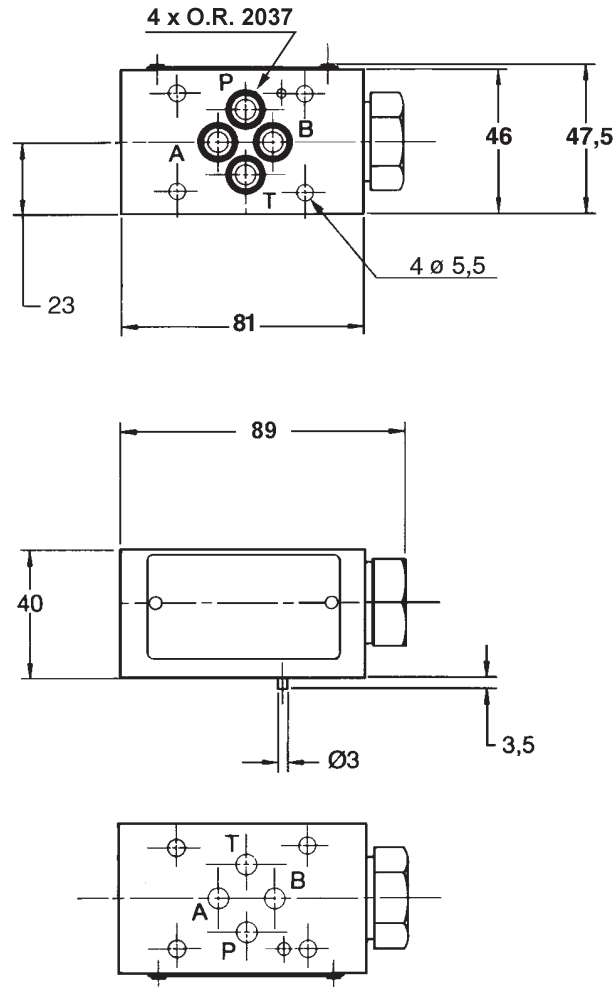


SYMBOL
<p>Checks available on request: on A, on B, on A and B, on P and T (opposite directions)</p>

ORDERING CODE	
AM3 – CO – P / 34	
AM3	ISO 03 stackable valve
CO	Direct operated check valve
P	Check on P (see symbol) – A,B and T free
34	Drawing



OVERALL DIMENSIONS



Subject to technical and dimensional changes without notice

TYPICAL SECTION

1	Body	6	Head
2	Pin	7	Seal
3	Seat	8	Seal
4	Poppet	9	Seal
5	Spring		

