

ISO 05 HYDRAULIC VALVES type HD5-ED DIRECTIONAL CONTROL - SOLENOID OPERATED

- 4-way solenoid operated directional valves
- ISO 05 interface, light execution (solenoids ISO 03)
- Oil immersed solenoids for AC and DC current
- Emergency pin for manual override
- Maximum flow rate: 100 l/min
- Maximum pressure (port P-A-B): 320 bar
- Maximum pressure (port T): 210 bar
- 100% duty cycle
- Suitable for mineral oil according to ISO 18/16/14 filtration class or better.
- Recommended viscosity range: 10 to 60cSt

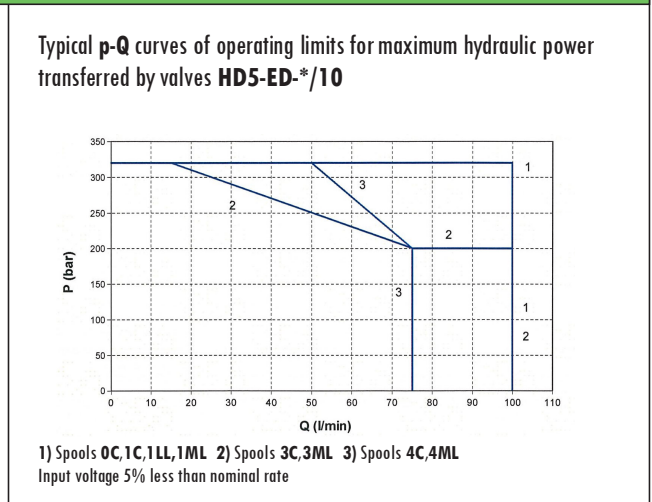
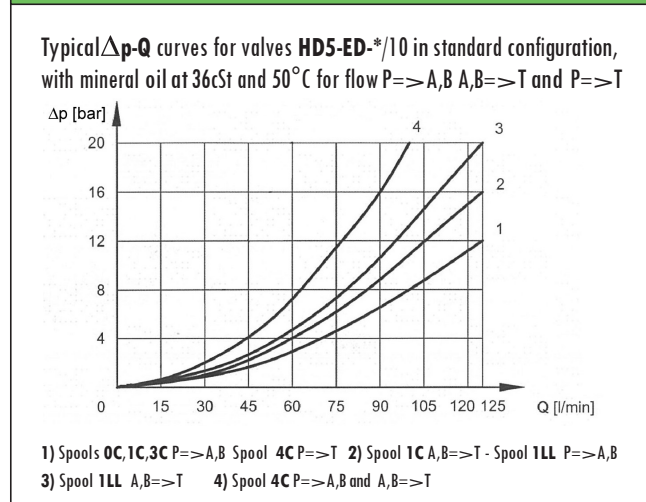


SPOOL TYPE **	
0	
1	
3	
4	

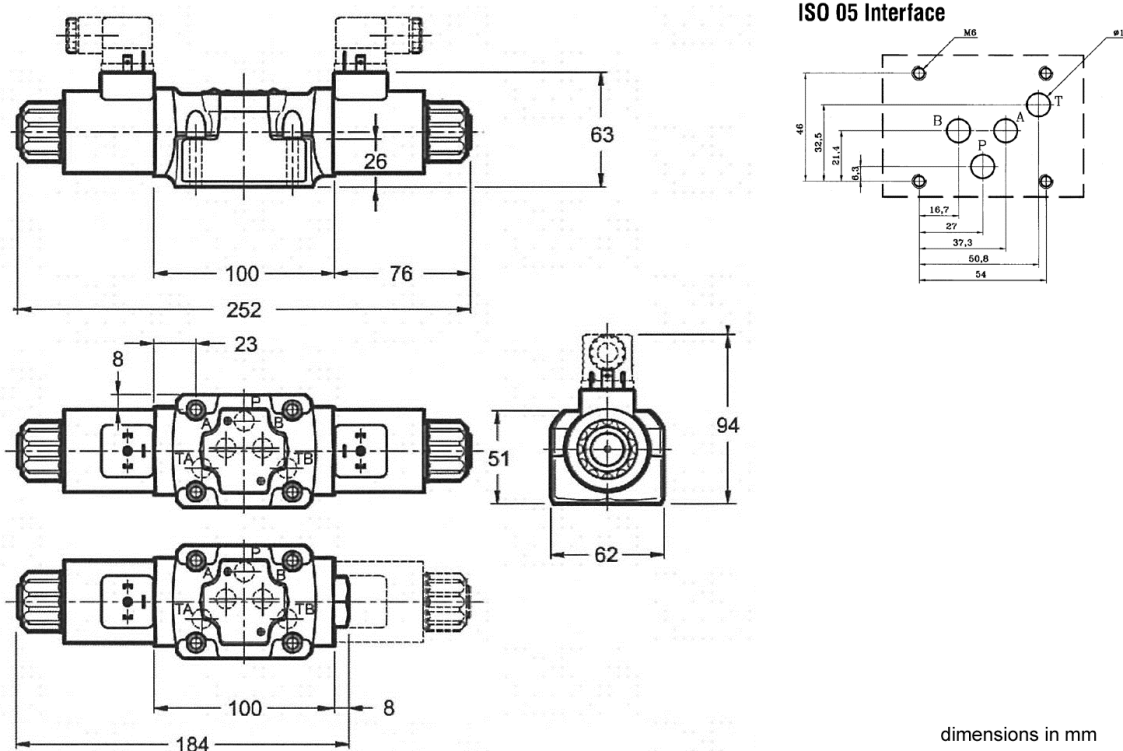
DRIVE ARRANGEMENT	
C	
LL	
ML	

ORDERING CODE	
HD5 – ED – 3C – */10	
HD5	ISO 05 4-way directional control valve
ED	Electrically controlled, solenoids ISO 03
3	Spool type (see table)
C	Drive arrangement (see table)
*	b: only for versions LL, ML, LM solenoid "b"
10	Drawing
B03 – *	
B03	Coil for HD5-ED valves (plugs according to ISO 4400) Admissible voltage variation: -10% +10%
-012C	12V DC – 2,8A
-024C	24V DC – 1,4A
-115A	115V 50/60Hz AC – 0,35A
-230A	230V 50/60Hz AC – 0,17A

TYPICAL DIAGRAMS



OVERALL DIMENSIONS



dimensions in mm

Fixing bolts: n.4 M6 x 35 (not included) — Tightening torque 12Nm

Valve mass: 2,4 kg (with 1 coil) — 3,0 kg (with 2 coils)

Subject to technical and dimensional changes without notice

TYPICAL SECTION

1	Body	4	Spring
3	Solenoid	5	Spool

