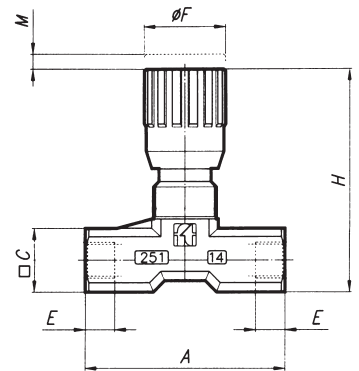


IN-LINE FLOW CONTROL VALVES type FT

FT 251/2-S FLOW CONTROL VALVES

- Flow control valves, needle type
- **2-way flow control**, adjustable
- BSP thread ports for in-line assembly
- **Steel** body, poppet and spring in steel
- Maximum operating pressure: **400 bar**
- Adjustment hand-grip with locking screw

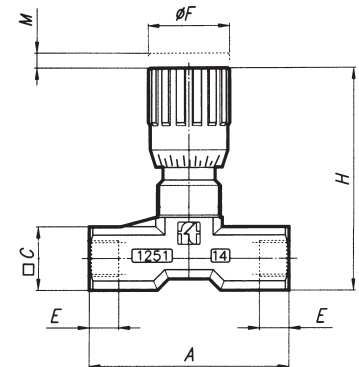


PERFORMANCE DATA									
ORDERING CODE	Symbol	Ports	Q _{MAX} (l/min)	A	C	E	ØF	H	M
FT 251/2-S-14		1/4" BSP	16	46	17	12	22	61	4,5
FT 251/2-S-38		3/8" BSP	30	55	22	13	27	74	7
FT 251/2-S-12		1/2" BSP	60	70	27	16	33	85,5	10

Subject to technical and dimensional changes without notice
Available on request port sizes 3/4" BSP, 1" BSP, 1-1/4" BSP, 1-1/2" BSP

FT 1251/2-01 FLOW CONTROL VALVES

- Flow control valves, needle type
- **2-way flow control**, adjustable
- BSP thread ports for in-line assembly
- **Brass** body, poppet and spring in steel
- Maximum operating pressure: **210 bar**
- High adjustment accuracy due to its precision hand-grip with locking screw

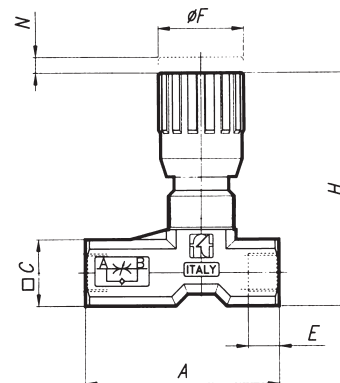


PERFORMANCE DATA									
ORDERING CODE	Symbol	Ports	Q _{MAX} (l/min)	A	C	E	ØF	H	M
FT 1251/2-01-14		1/4" BSP	16	46	17	12	22	57	4,5
FT 1251/2-01-38		3/8" BSP	30	55	22	13	27	69	7
FT 1251/2-01-12		1/2" BSP	60	70	27	16	33	82	10

Subject to technical and dimensional changes without notice
Available on request port sizes 3/4" BSP, 1" BSP, 1-1/4" BSP, 1-1/2" BSP

FT 251/5-S FLOW CONTROL VALVES

- Flow control valves, needle type
- **1-way flow control**, adjustable
- BSP thread ports for in-line assembly
- **Steel** body, poppet and spring in steel
- Maximum operating pressure: **400 bar**
- Adjustment hand-grip with locking screw

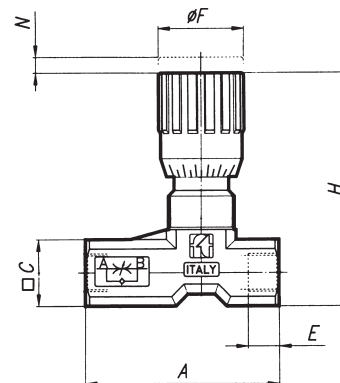


PERFORMANCE DATA									
ORDERING CODE	Symbol	Ports	Q _{MAX} (l/min)	A	C	E	ØF	H	M
FT 251/5-S-14		1/4" BSP	16	56	17	12	22	61	4,5
FT 251/5-S-38		3/8" BSP	30	64,5	22	13	27	74	7
FT 251/5-S-12		1/2" BSP	60	87	27	16	33	85,5	10

Subject to technical and dimensional changes without notice
Available on request port sizes 3/4" BSP, 1" BSP, 1-1/4" BSP, 1-1/2" BSP

FT 1251/5-01 FLOW CONTROL VALVES

- Flow control valves, needle type
- **1-way flow control**, adjustable
- BSP thread ports for in-line assembly
- **Brass** body, poppet and spring in steel
- Maximum operating pressure: **210 bar**
- High adjustment accuracy due to its precision hand-grip with locking screw



PERFORMANCE DATA									
ORDERING CODE	Symbol	Ports	Q _{MAX} (l/min)	A	C	E	ØF	H	M
FT 1251/5-01-14		1/4" BSP	16	56	17	12	22	57	4,5
FT 1251/5-01-38		3/8" BSP	30	64,5	22	13	27	69	7
FT 1251/5-01-12		1/2" BSP	60	87	27	16	33	82	10

Subject to technical and dimensional changes without notice
Available on request port sizes 3/4" BSP, 1" BSP, 1-1/4" BSP, 1-1/2" BSP