

ISO 02 HYDRAULIC STACKABLE VALVES type **AM2-FC** FLOW CONTROL – ADJUSTABLE

- Hydraulic flow control valves
- **ISO 02** interface, stackable assembly
- Meter-out control, reverse free flow
- Adjustment by screw with locking nut
- Max operating pressure : 320 bar
- Max recommended flow: 24 l/min
- Mass: 0,8 kg
- Suitable for mineral oil according to ISO 18/16/14 filtration class or better.
Recommended viscosity range: 10 to 60cSt

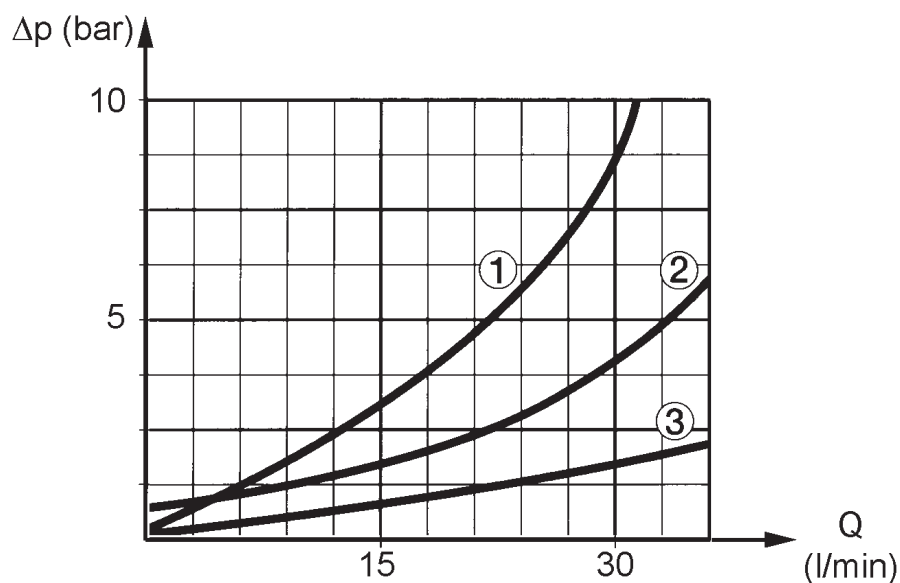


SYMBOL	
<p>Available on request with single flow control on A or on B</p>	

ORDERING CODE	
AM2 – FC – AB	
AM2	ISO 02 stackable valve
FC	Flow control, meter-out (referred to actuator)
AB	Dual control on A and B (see symbol) – P and T free

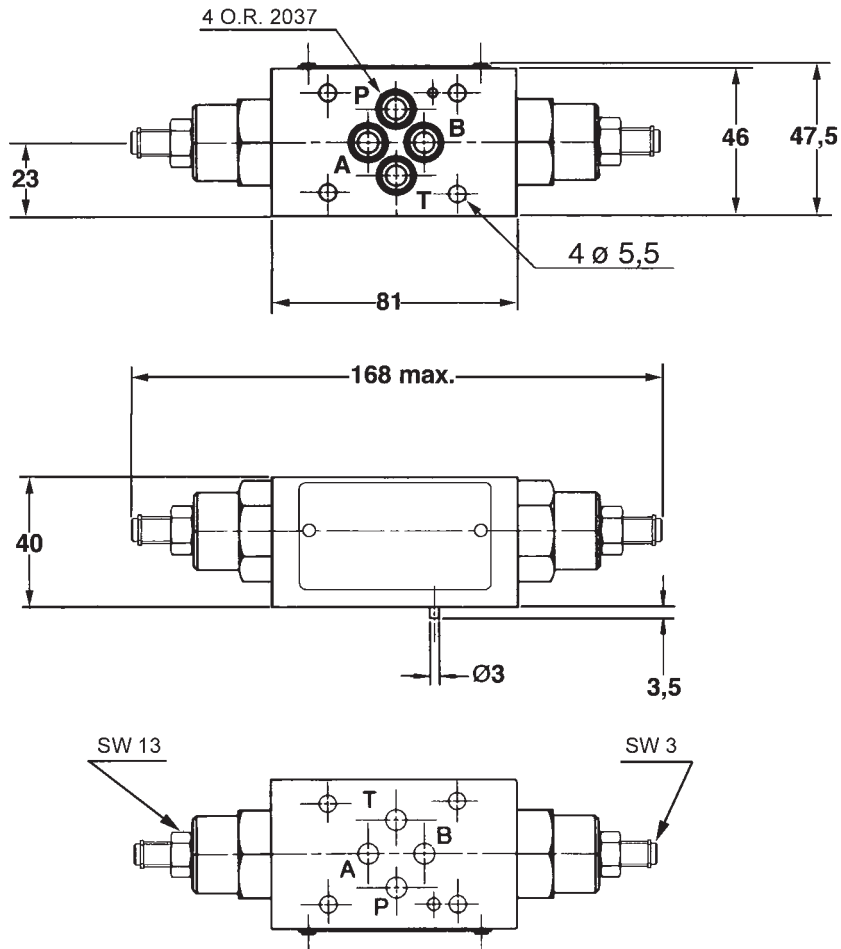
TYPICAL DIAGRAM

Typical Δp - Q curves for valves **AM2-FC**, with mineral oil at 36cSt and 50°C and screw set at beginning of adjustment.
Diagrams for flow controlled A1→A, B1→B, flow through check A→A1, B→B1, and free channels



1) A1→A and B1→B 2) A→A1 and B→B1 3) Free channels

OVERALL DIMENSIONS



Subject to technical and dimensional changes without notice

TYPICAL SECTION

0	Pin	5	Spring
1	Body	6	Shaft's holder
2	Poppet sliding	7	Seal
3	Locking nut	8	Seal
4	Throttling shaft	9	Seal

