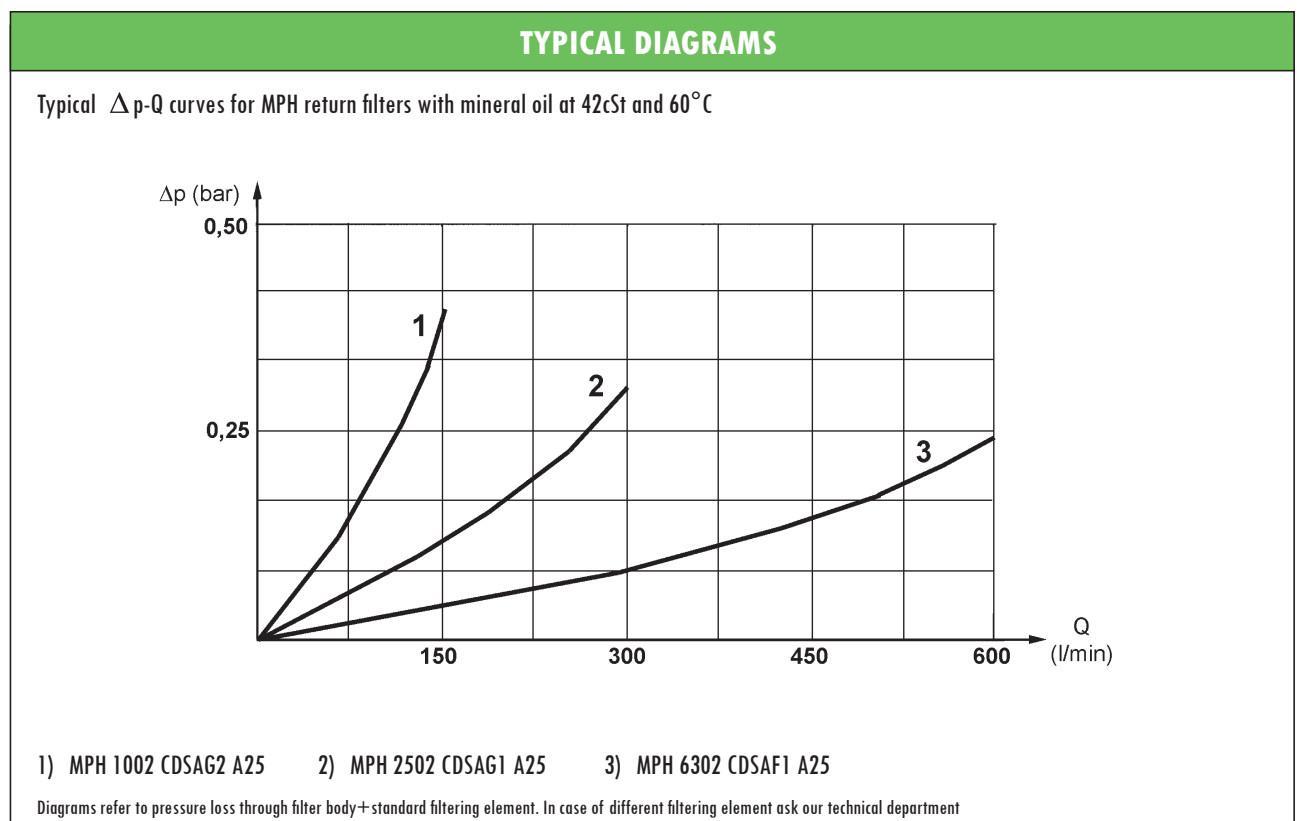


## HYDRAULIC RETURN FILTERS type MPH

- Designed to be installed on the reservoir cover and connected to the return line
- Filtering element made by inorganic micro fibre
- Filtration standard rate: 25µm
- Filtering element collapse: 10bar
- Equipped with a by-pass valve (opening  $\Delta p = 2,5\text{bar}$ )
- Visual or electrical clogging indicator
- When clogged, the filtering element must be replaced

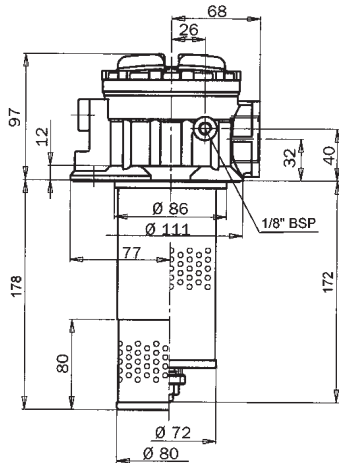


TECHNICAL DATA and DIMENSIONS								
ORDERING CODE	Symbol	QMAX [l/min]	PMAX [bar]	Filtration rate(*) [µm]	Ports	Mass [kg]	Clogging indicator	Filtering element
MPH 1002 CDSAG2 A25		150	10	25	3/4" BSP	1,2	VR visual FX electrical	MR1002A25A
MPH 2502 CDSAG1 A25		300	10	25	1" 1/2 BSP	4,1	VR visual FX electrical	MR2502A25A
MPH 6302 CDSAF1 A25		600	10	25	2" 1/2 SAE	8,7	VR visual FX electrical	MR6302A25A

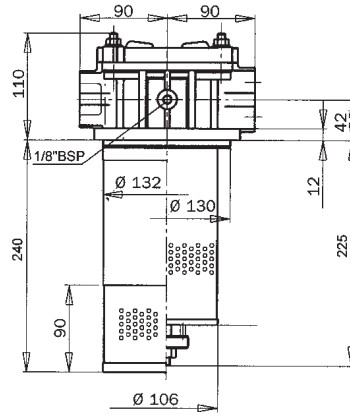


**OVERALL DIMENSIONS**

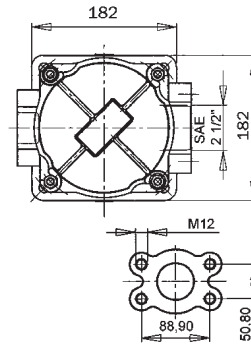
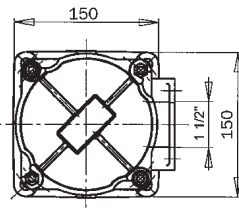
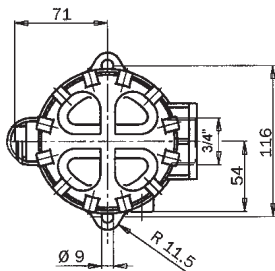
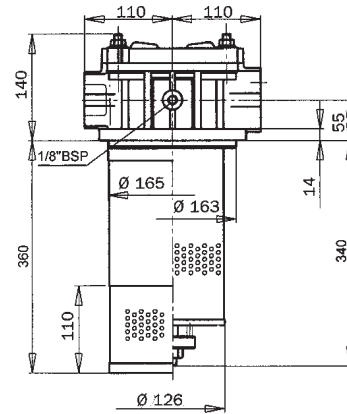
**MPH 1002**



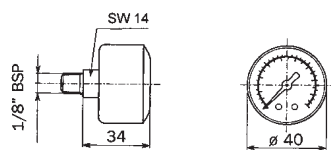
**MPH 2502**



**MPH 6302**



**VR**



**FX15R2M3**

