

HYDRAULIC SCREW-IN VALVES type **EVD2.34** N.C. 2-DIR. CONTROL – SOLENOID OPERATED

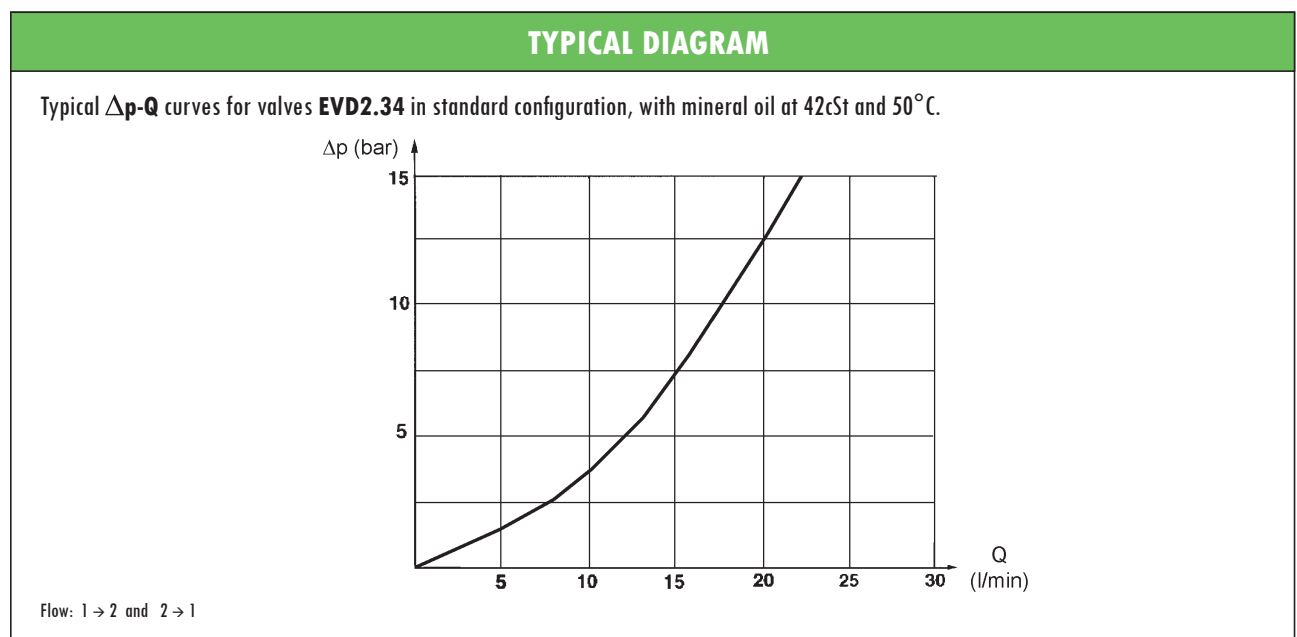
- Suitable for standard cavity **3/4" 16 UNF**
- **2-way** solenoid operated poppet valves
- Normally closed, **bi-directional control**
- Maximum operating pressure: **250 bar**
- Nominal flow rate: **16 l/min**
- Maximum flow rate: **25 l/min**
- **100% duty cycle**
- **Steel body**
- **Poppet in hardened and grinded steel**
- **Mass 0,32 kg (coil included)**



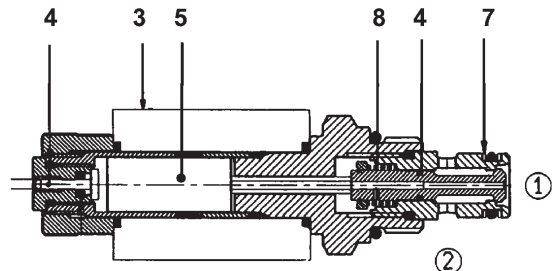
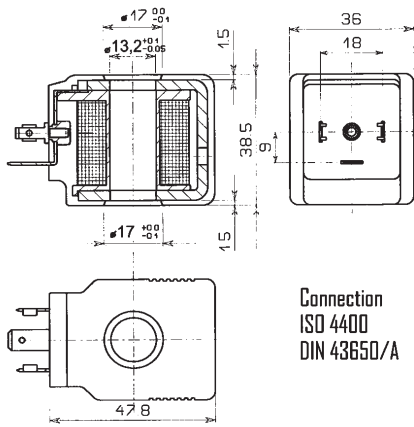
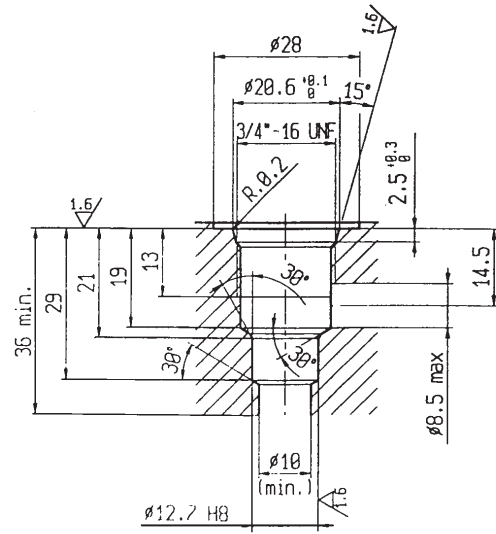
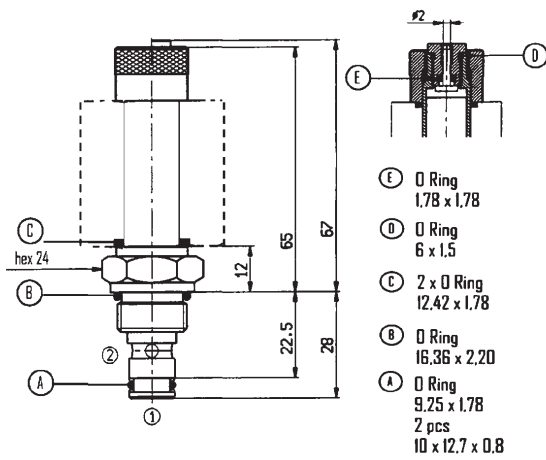
SYMBOL	
	03
	04

ORDERING CODE	
EVD2.34.03	
EVD2	2-way solenoid operated poppet valve
34	Cavity 3/4" – 16 UNF
03	03: standard execution (see symbol) 04: manual override execution (see symbol)

COIL	Ø13 / 22W – Plugs (not included) according to ISO 4400: see table AZ-100
C36-012C	12V DC – 1,9A – 6,3Ω at 20°C – 22,8W nominal power – Insulation class H
C36-024C	24V DC – 0,95A – 25,6Ω at 20°C – 22,5W nominal power – Insulation class H
C36-220R	230V RAC (rectifier plug needed) – 0,11A – 1720Ω at 20°C – 22,3W nominal power – Insulation class H



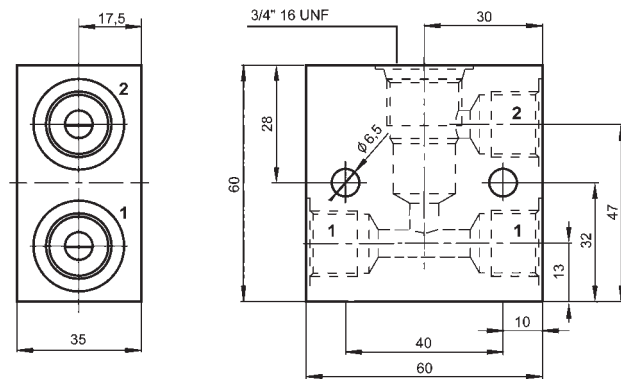
OVERALL DIMENSIONS



3	Coil	6	Poppet
4	Manual override	7	Seat
5	Mobile armature	8	Spring

Subject to technical and dimensional changes without notice

LINE ASSEMBLY BODY



Code	Ports
LAB-34-2/14	1/4" BSP
LAB-34-2/38	3/8" BSP
Mass: 0,25 kg	

Suitable for standard 2-way screw-in valves, cavity 3/4" 16 UNF.
 Designed for in-line assembly, either parallel or in series one, LAB aluminium bodies are supplied with one service port (1) plugged.