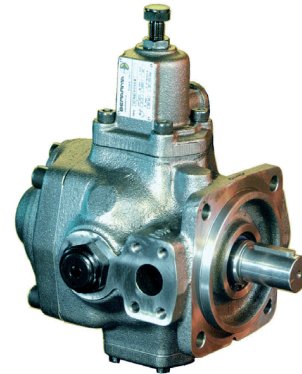


VANE PUMPS type 02 PVS

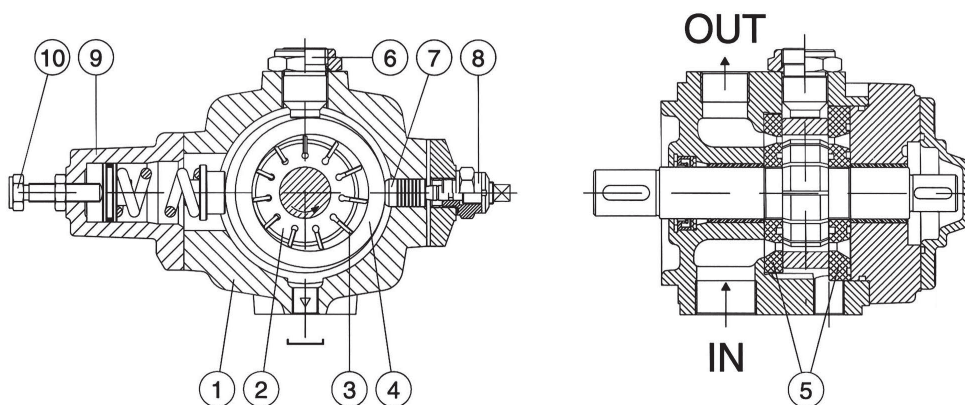
- Variable displacement vane pumps
- Pressure compensated to “zero” displacement
- Separate adjustments for pressure compensation and maximum displacement
- Clockwise rotation (counter clockwise on request)
- Very low noise level
- Suitable for hydraulic oils according to ISO 6743/4
- Recommended oil viscosity from 20cSt to 80cSt (max permissible viscosity at the start up to 400cSt) according to class ISO 3448
- Oil temperature range from -10°C to $+50^{\circ}\text{C}$
- Recommended fluid contamination level: 18/16/14 according to ISO 4406/99



PERFORMANCE DATA						
ORDERING CODE	Q_{MAX} at 1500rpm [l/min]	P_{MAX} [bar]	PRESSURE COMPENSATOR range (*) [bar]	ABSORPTION at Q_{MAX} , P_{MAX} and 1500rpm [kW]	N_{MAX} [rpm]	MASS [kg]
01 PLP 05 16 FHRM	26	120	30 to 100	5	1800	6,5
02 PVS 1 20 FHRM	32	100		6		12
02 PVS 1 25 FHRM	39			7		
02 PVS 2 31 FHRM	50			10		32

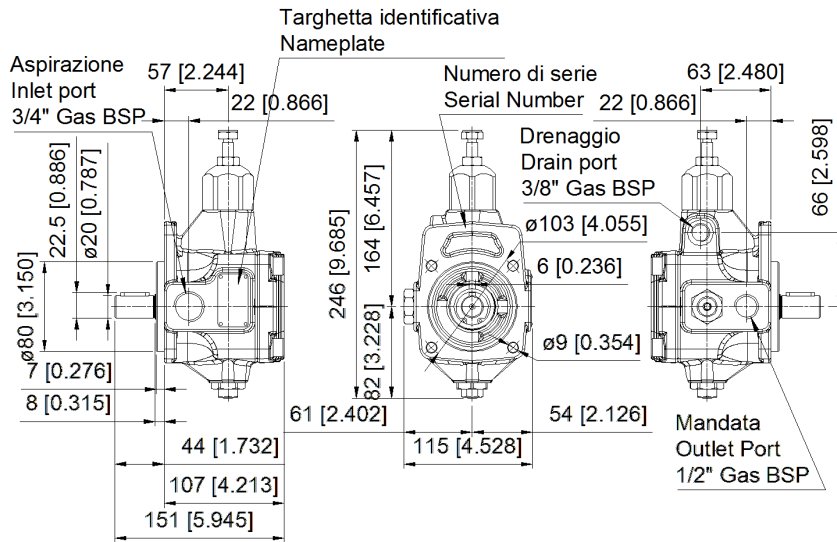
(*) Different ranges on request: "1" and "2" sizes (15 to 50 bar) - "05" size (only 20 to 120bar) - New PLP 05 size (only) is supplied with stroke limiter Q as standard. PLP 05 16 substitutes both models PVS 05 10 and PVS 1 16

TYPICAL SECTION			
1	Body	6	Balancing block
2	Rotor	7	Displacement limiter
3	Vanes	8	Adjustment screw
4	Cam ring	9	Pressure compensator
5	Balanced sealing lateral plates	10	Adjustment screw

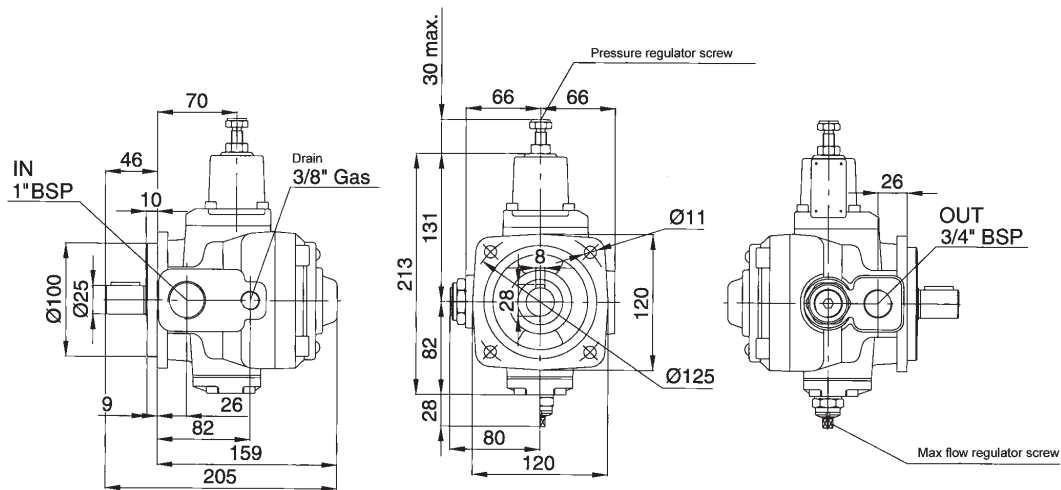


OVERALL DIMENSIONS

01 PLP 05



02 PVS 1



02 PVS 2

