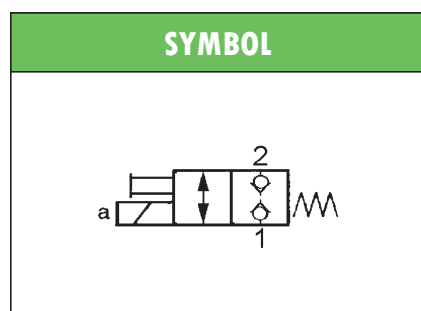


HYDRAULIC SCREW-IN VALVES type **EVX-06-C5**

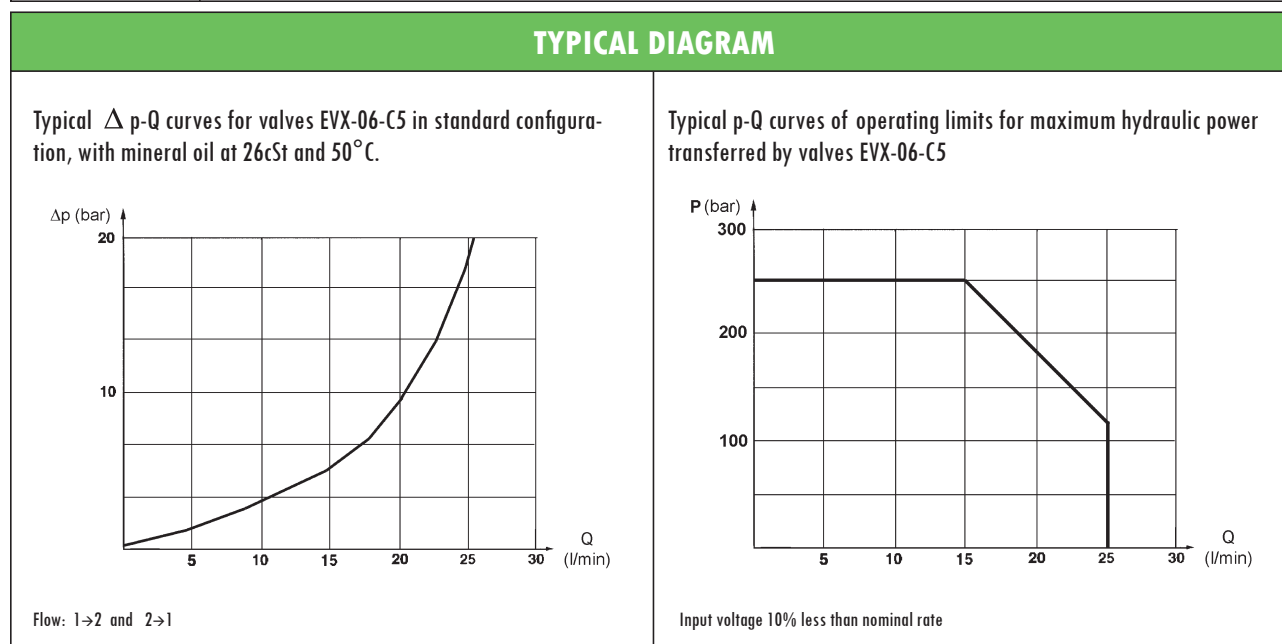
EX-PROOF SOLENOID OPERATED – ATEX

- Suitable for standard cavity **M22**
- Ex-proof solenoid operated **2-way** poppet valve, (zero drops)
- Solenoids according to ATEX 94/9/CE
- **ATEX code/class: CE 0722 / Ex II 2 G EEx d II CT5**
- Certificate: CESI 03 ATEX 212 (on request)
- Normally closed, bi-directional control
- Maximum operating pressure: 250bar
- Maximum flow rate: 25 l/min
- 100% duty cycle
- Steel body, poppet in hardened and grinded steel
- Mass 1,40kg (coil included)



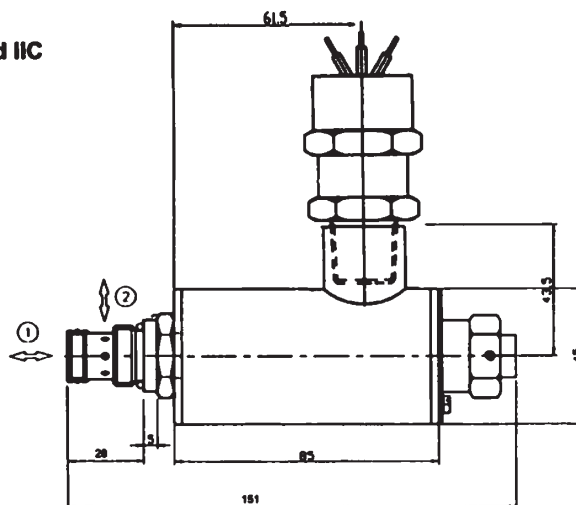
ORDERING CODE	
EVX-06-C5-*	
EVX	Ex-proof solenoid operated screw-in poppet valve
06	Normal port size
C5	Type

ORDERING CODE	
COIL	Type GMA-6/EV – Nominal absorption: 11W
Current data (*)	012C: 12V DC-0,92A 024C: 24V DC-0,46A 115A: 115V AC-0,10A 230A: 230V AC-0,05A
Protection	According to IEC144: class IP67 – External surfaces nickel coated (min. thickness 7 micron)
Connection	3x1,5mm ² wire cable (CEI 20-22), length 1,5m already connected to coil. Electrical connection must be accordance to Exproof norm ATEX. Earth connection both internal, with yellow-green wire in the cable, and external with a minimum 4mm ² cable fastened to earth screw.

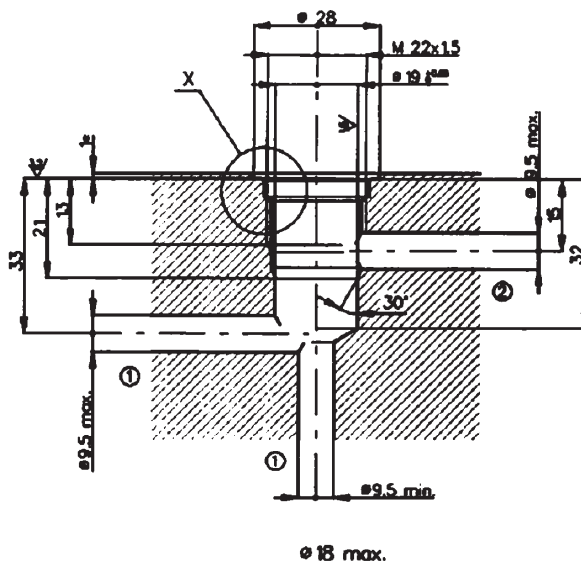
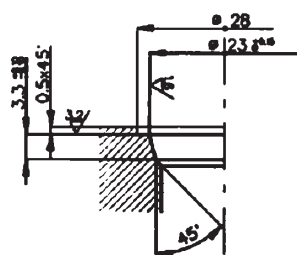


OVERALL DIMENSIONS

Ex II 2 G EEx d IIC



DETAIL X



Subject to technical and dimensional changes without notice

LINE ASSEMBLY BODY

Non-Standard.
Available on request