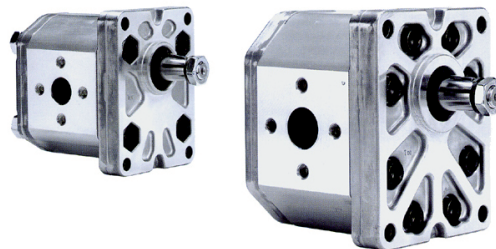


GEAR PUMPS type ALP

- Fixed displacement external gear pumps
- Body and plates in aluminium
- Axial hydraulic balancing
- Clockwise rotation
(counter clockwise on request)
- Suitable for hydraulic oils according to ISO 6743/4
- Recommended oil viscosity from 20cSt to 100cSt
(permissible from 10cSt to 800cSt) according to ISO 3448
- Temperature range from -15°C to $+80^{\circ}\text{C}$
- Recommended fluid contamination level:
18/16/14 according to ISO 4406/99



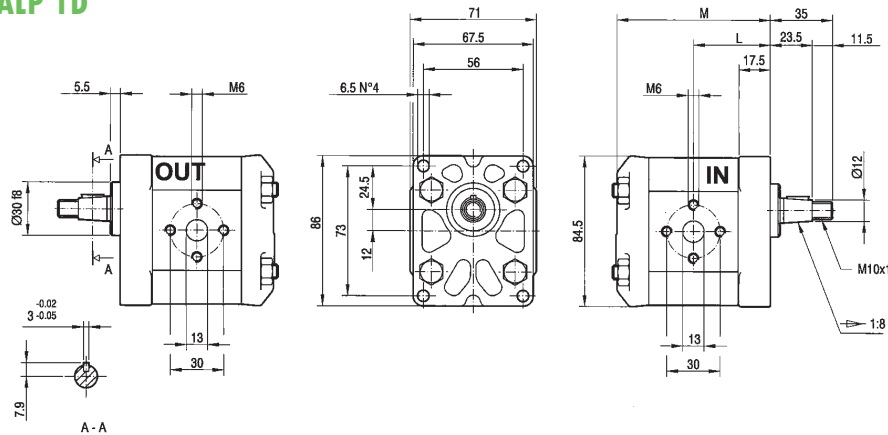
PERFORMANCE DATA

ORDERING CODE	DISPLACEMENT [cm ³ /rev]	FLOW at P _{MAX} and 1500rpm [l/min]	P _{MAX} (*) [bar]	ABSORPTION at P _{MAX} and 1500rpm [kW]	N _{MAX} [rpm]	MASS [kg]
ALP 1D 2	1,4	2,0	220	0,8	6000	1,2
ALP 1D 3	2,1	2,9	220	1,2	6000	1,3
ALP 1D 4	2,8	3,9	220	1,7	5000	1,3
ALP 1D 5	3,5	4,9	220	2,1	5000	1,3
ALP 1D 6	4,1	5,9	210	2,4	4000	1,4
ALP 1D 9	6,2	8,8	200	3,3	3800	1,5
ALP 2D 10	7,0	10,0	230	4,1	4000	2,6
ALP 2D 13	9,6	13,5	220	5,6	3000	2,6
ALP 2D 16	11,5	16,0	220	6,8	4000	2,7
ALP 2D 20	14,1	20,0	210	8,0	4000	2,8
ALP 2D 25	17,9	25,0	200	9,5	3600	3,0
ALP 2D 30	21,1	29,5	180	10,0	3200	3,1
ALP 2D 40	28,2	39,5	150	11,2	2500	3,3
ALP 3D 33	22	31	230	14	3500	6,2
ALP 3D 40	26	37	230	17	3000	6,3
ALP 3D 50	33	48	220	20	3000	6,6
ALP 3D 60	39	56	220	24	3000	6,7

(*) With continuous duty cycle

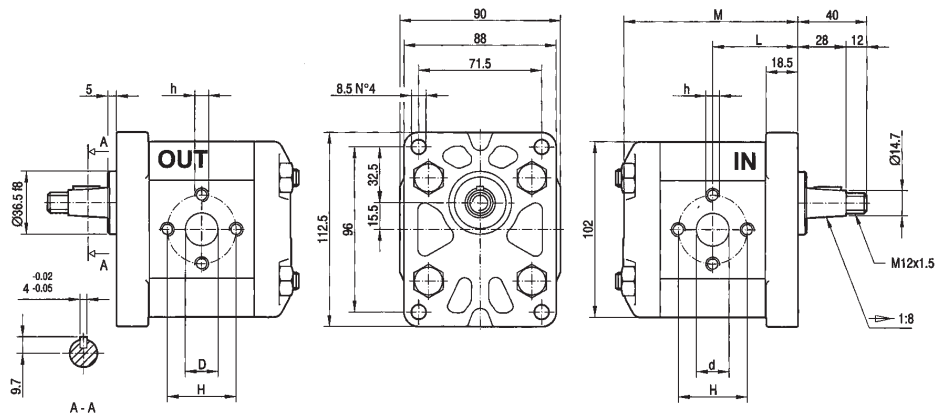
OVERALL DIMENSIONS

ALP 1D



Code	L	M
ALP 1D 2	40	80,5
ALP 1D 3	41	82,5
ALP 1D 4	42	84,5
ALP 1D 5	43	86,5
ALP 1D 6	44	88,5
ALP 1D 9	47	94,5

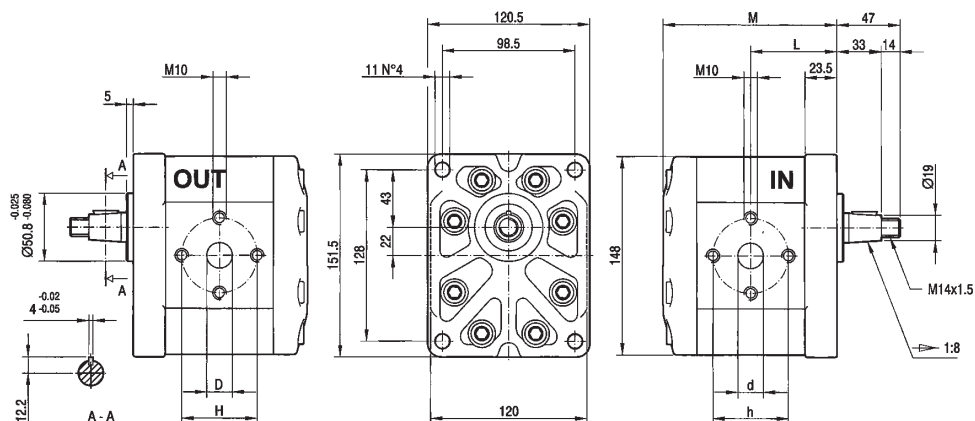
ALP 2D



Code	L	M	d	D	h	H
ALP 2D 10	47,5	97,5	13	13	M8	40
ALP 2D 13	49,5	101,5	13	13	M8	40
ALP 2D 16	51	104,5	19	13	M8	40
ALP 2D 20	53	108,5	19	13	M8	40

Code	L	M	d	D	h	H
ALP 2D 25	56	114,5	19	13	M8	40
ALP 2D 30	58,5	119,5	19	19	M8	40
ALP 2D 40	64	130,5	19	19	M8	40

ALP 3D



Code	L	M	d	D	h	H
ALP 3D 33	64,5	130,5	27	19	56	56
ALP 3D 40	66	133,5	27	19	56	56

Code	L	M	d	D	h	H
ALP 3D 50	68,5	138,5	27	19	56	56
ALP 3D 60	70,5	142,5	27	19	56	56

Subject to technical and dimensional changes without notice