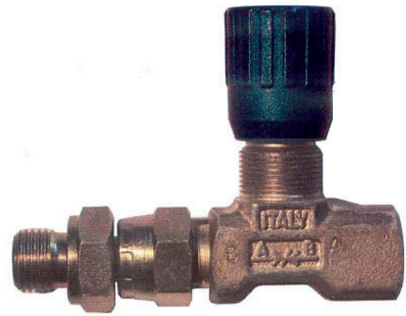
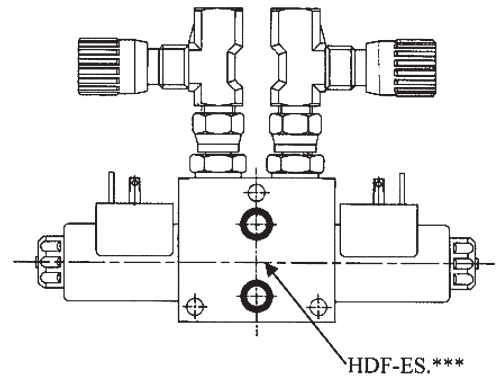
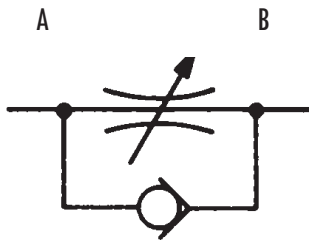


INLINE THROTTLE VALVE type HFC-14 1-WAY - ADJUSTABLE

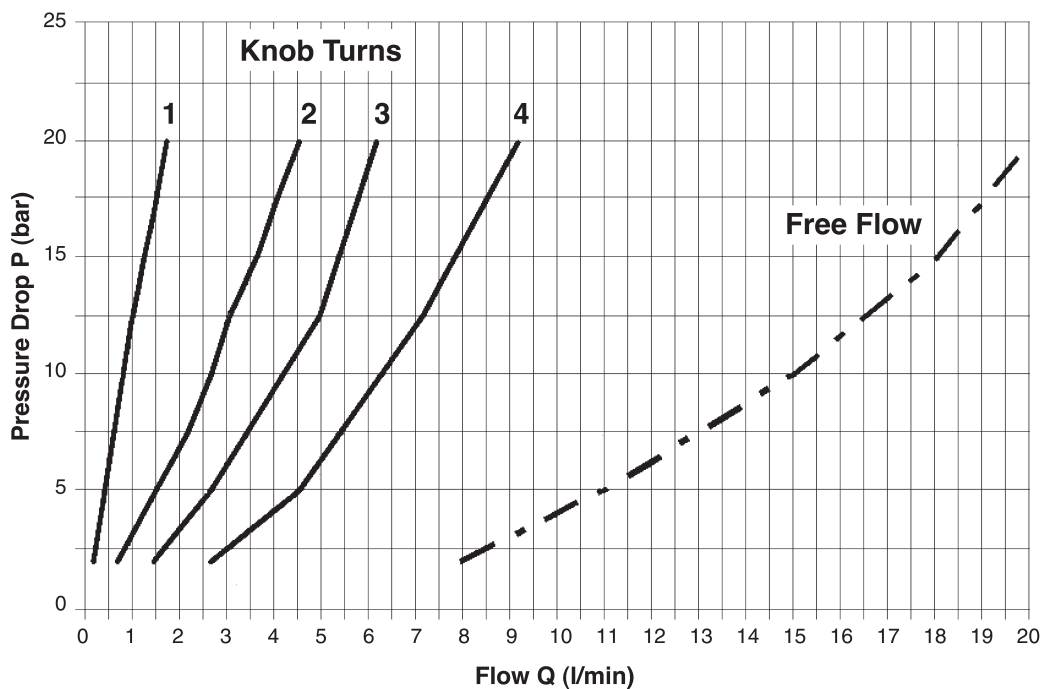
- Flow control valves, needle type
- **1-way flow control**, adjustable
- BSP thread ports for in-line assembly
- **Steel body**, poppet and spring in steel
- Maximum operating pressure: **400 bar**
- Adjustment hand-grip with locking screw
- Special version with rotational joint for easy assembly on **HDF** valves



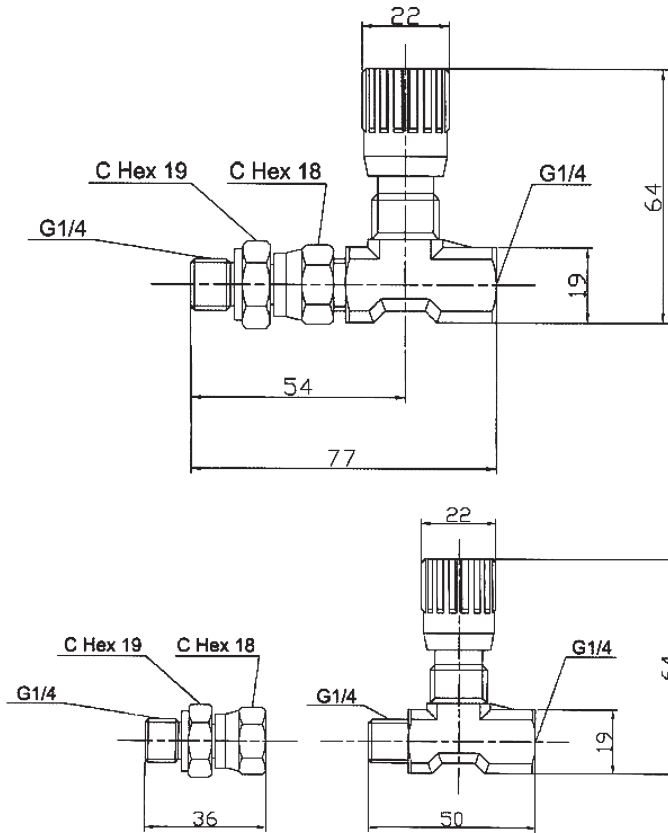
FUNCTIONAL SYMBOL



TYPICAL DIAGRAM

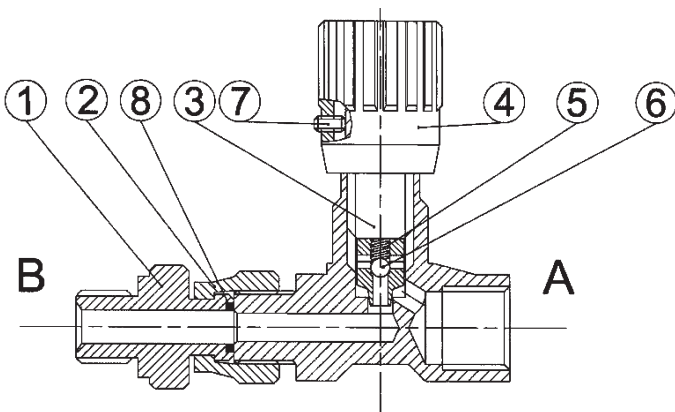


INSTALLATION DIMENSIONS



All dimensions are mm

TYPICAL SECTION



INSTALLATION

1. Lock the nipple **1** in a G1/4 port.
2. Put O-Ring[®] in its seat.
3. Fit the male thread of the valve in the turning connector.
4. While keeping the valve in the desired final orientation, screw the turning connector until blocking.

ADJUSTMENT OF THE REGULATED FLOW

To reduce the flow rate in the regulated direction (A → B) turn clockwise knob **4**, after having unlocked its retaining screw **7**.