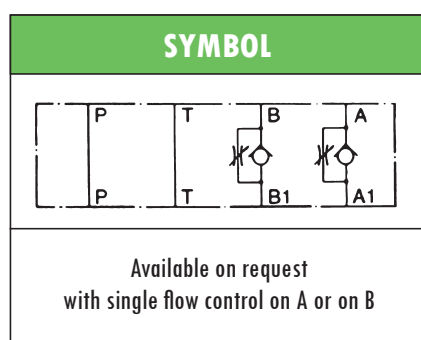


ISO 03 HYDRAULIC STACKABLE VALVES type **AM3-FC** FLOW CONTROL – ADJUSTABLE

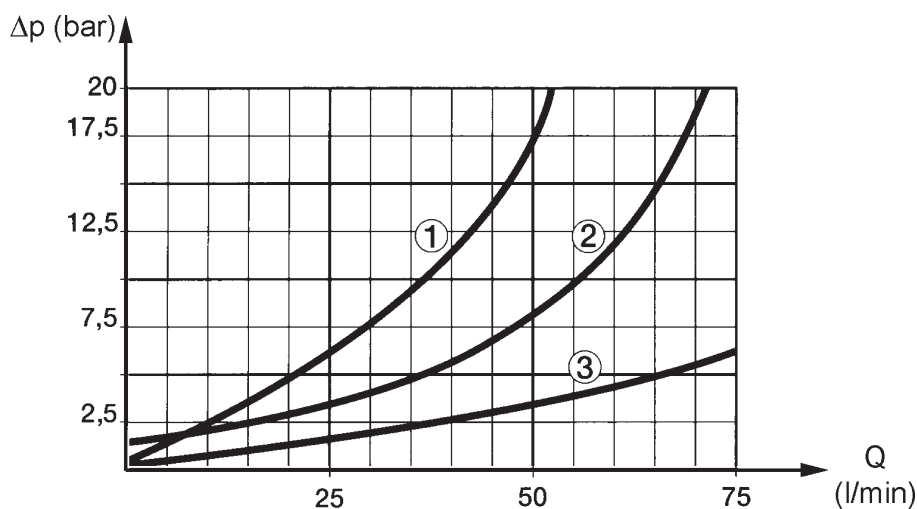
- Hydraulic flow control valves
- **ISO 03** interface, stackable assembly
- Meter-out control, reverse free flow
- Adjustment by screw with locking nut
- Max operating pressure: 320 bar
- Max recommended flow: 50 l/min
- Mass: 1,2 kg
- Suitable for mineral oil according to ISO 18/14/16 filtration class or better.
Recommended viscosity range: 10 to 60cSt



ORDERING CODE	
AM3 – FC – AB	
AM3	ISO 03 stackable valve
FC	Flow control, meter-out (referred to actuator)
AB	Dual control on A and B (see symbol) – P and T free

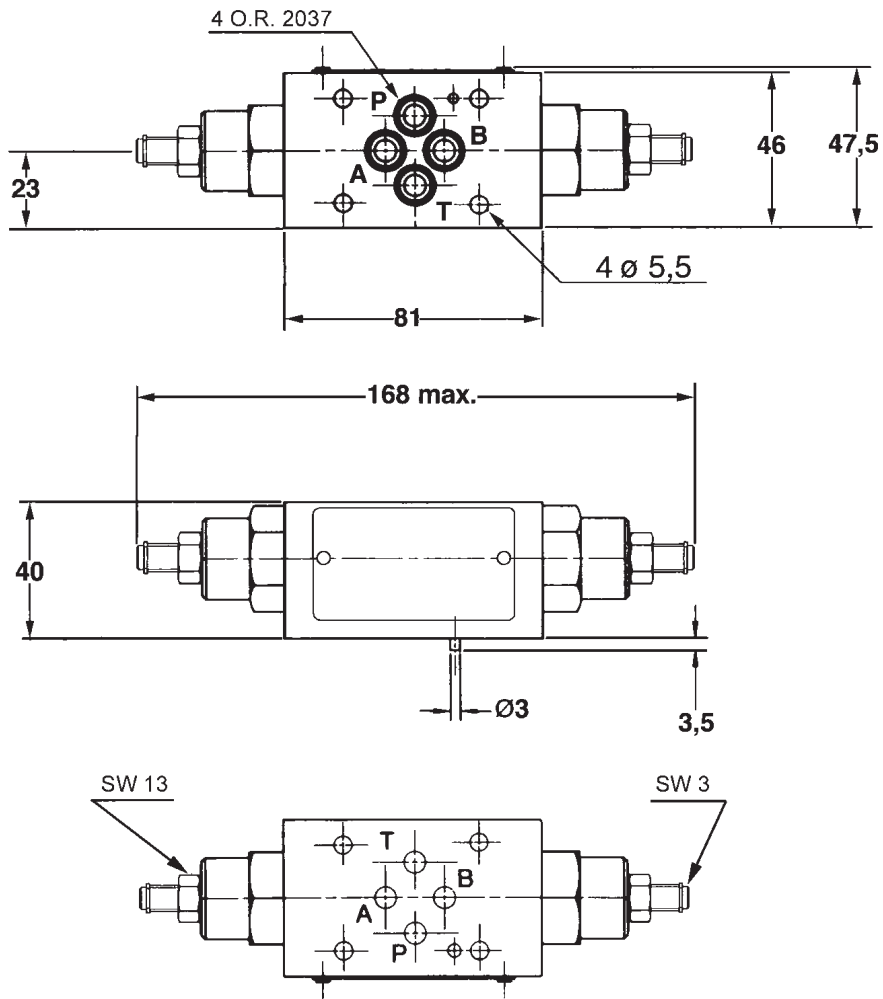
TYPICAL DIAGRAM

Typical Δp - Q curves for valves **AM3-FC**, with mineral oil at 36cSt and 50°C and screw set at beginning of adjustment.
Diagrams for flow controlled A1→A, B1→B, flow through check A→A1, B→B1, and free channels



1) A1→A and B1→B 2) A→A1 and B→B1 3) Free channels

OVERALL DIMENSIONS



Subject to technical and dimensional changes without notice

TYPICAL SECTION

1	Body	6	Check device holder
2	Pin	7	Seal
3	Seat	8	Seal
4	Poppet	9	Seal
5	Spring	10	Pilot piston

