

ISO 03 HYDRAULIC STACKABLE VALVES type **AM3-FX** FLOW CONTROL – ADJUSTABLE

- Hydraulic flow control valves
- **ISO 03** interface, stackable assembly
- Meter-in control, reverse free flow
- Adjustment by screw with locking nut
- Max operating pressure: 320 bar
- Max recommended flow: 50 l/min
- Mass: 1,2 kg
- Suitable for mineral oil according to ISO 18/16/14 filtration class or better.
Recommended viscosity range: 10 to 60cSt

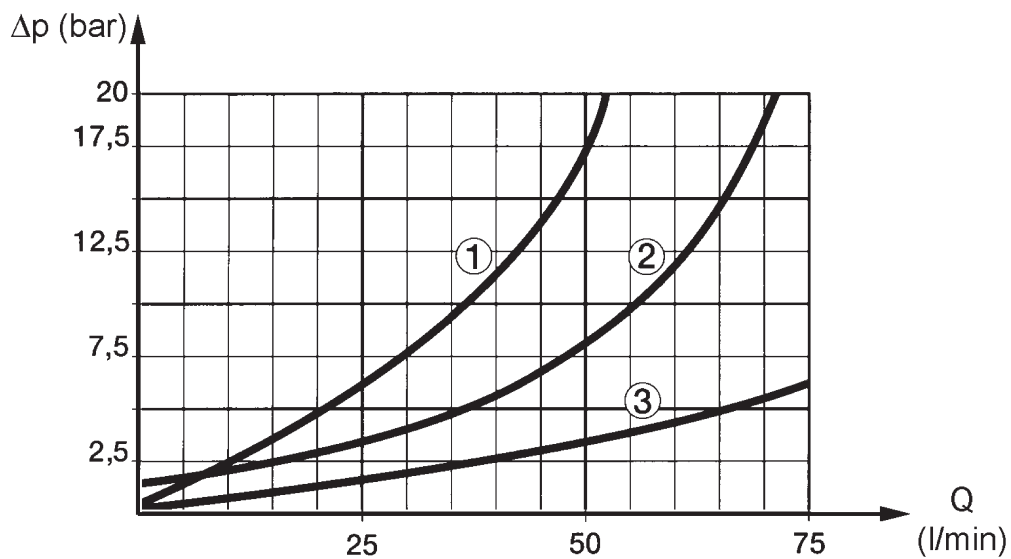


SYMBOL	
Available on request with single flow control on A or on B	

ORDERING CODE	
AM3 – FX – AB	
AM3	ISO 03 stackable valve
FX	Flow control, meter-in (referred to actuator)
AB	Dual control on A and B (see symbol) – P and T free

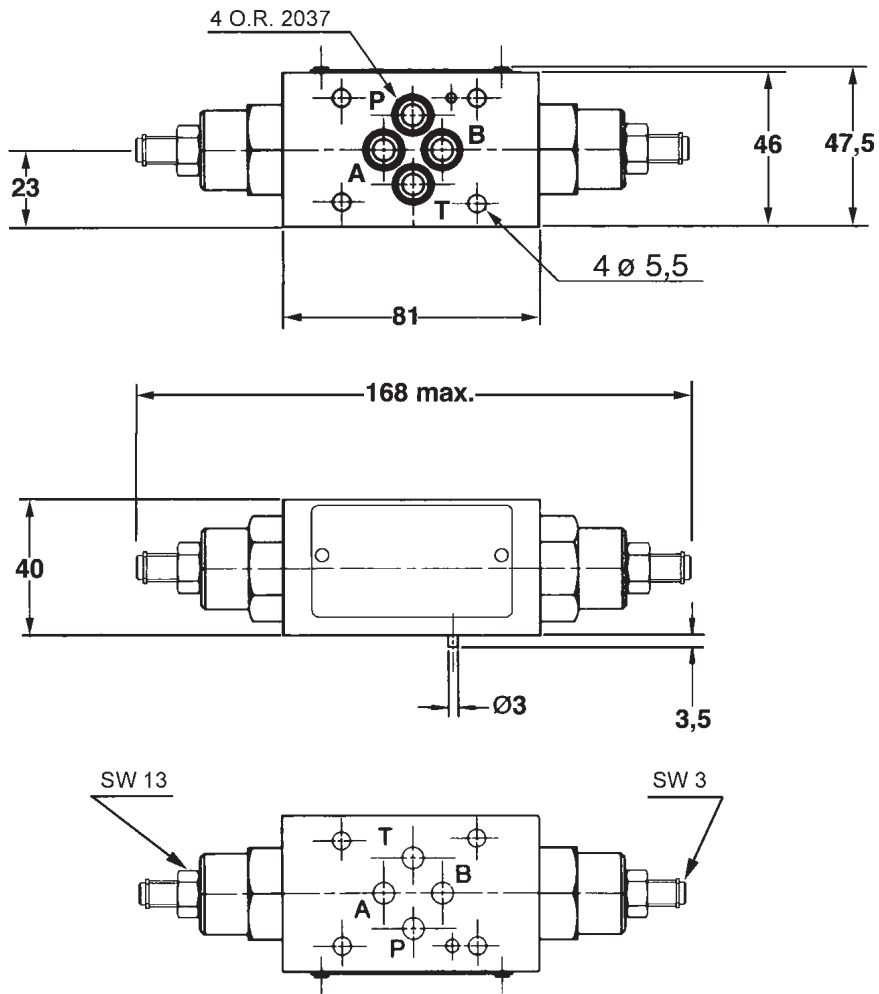
TYPICAL DIAGRAM

Typical Δp - Q curves for valves **AM3-FX**, with mineral oil at 36cSt and 50°C and screw set at beginning of adjustment. Diagrams for flow controlled A→A1, B→B1, flow through check A1→A, B1→B, and free channels



1) A→A1 and B→B1 2) A1→A and B1→B 3) Free channels

OVERALL DIMENSIONS



Subject to technical and dimensional changes without notice

TYPICAL SECTION

0	Pin	5	Spring
1	Body	6	Head
2	Poppet	7	Seal
3	Locking nut	8	Seal
4	Throttling needle	9	Seal

