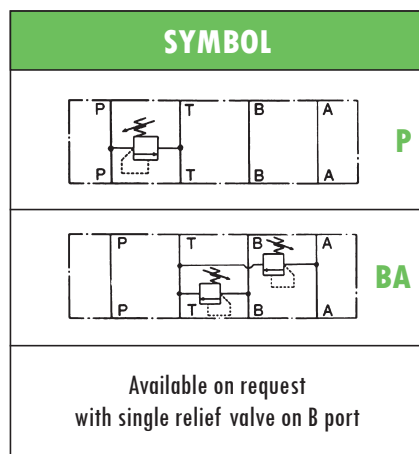
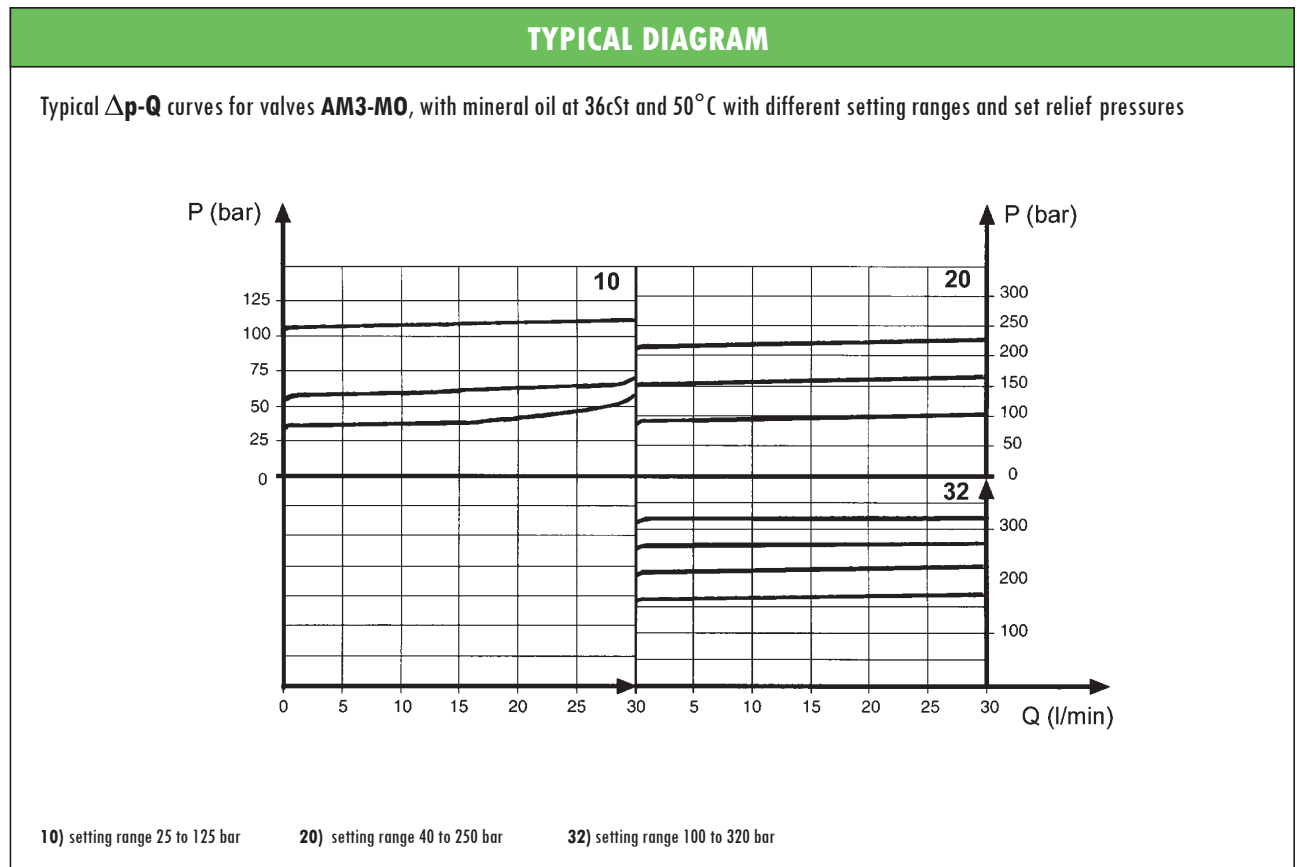


ISO 03 HYDRAULIC STACKABLE VALVES type **AM3-MO** PRESSURE RELIEF – DIRECT ACTING

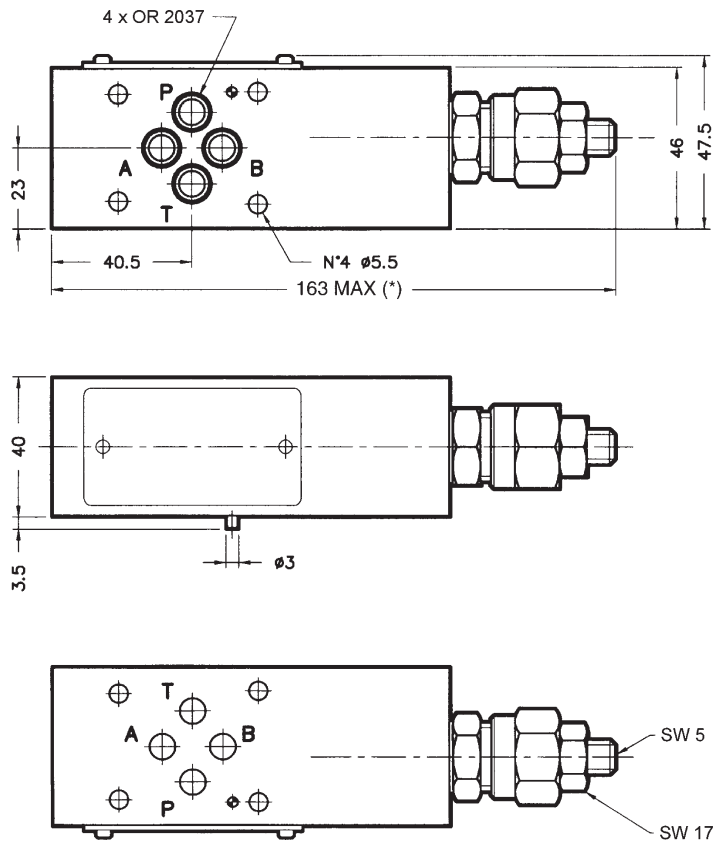
- Hydraulic pressure relief valves, direct acting
- **ISO 03** interface, stackable assembly
- Adjustment by screw with locking nut
- Max operating pressure: 320 bar
- Nominal flow: 32 l/min
- Mass: 1,7 kg single valve (2,3kg dual)
- Suitable for mineral oil according to ISO 18/16/14 filtration class or better.
Recommended viscosity range: 10 to 60cSt



ORDERING CODE	
AM3 – MO – P / 20	
AM3	ISO 03 stackable valve
MO	Direct acting pressure relief valve
P	P: Relief on P (see symbol) – A, B and T free BA: Relief on A, B (see symbol) – P, T and T free
20	Setting range: 10 = 25 to 125 bar 20 = 40 to 250 bar 32 = 100 to 320 bar



OVERALL DIMENSIONS



(* for AM3-MO-BA/20: 216 max

Subject to technical and dimensional changes without notice

TYPICAL SECTION

0	Pin	5	Spring
1	Body	6	Locking nut
2	Seat	7	Seal
3	Differential area poppet	8	Seal
4	Setting screw	9	Seal

