

ISO 02 HYDRAULIC VALVES type HD2-LO DIRECTIONAL CONTROL - MANUALLY OPERATED

- 4-way manually operated directional valves
- ISO 02 interface
- Maximum flow rate: 30 l/min
- Maximum pressure (port P-A-B): 320bar
- Maximum pressure (port T): 100bar
- Mass: 1,0 kg
- Suitable for mineral oil according to ISO 18/16/14 filtration class or better.
Recommended viscosity range: 10 to 60cSt



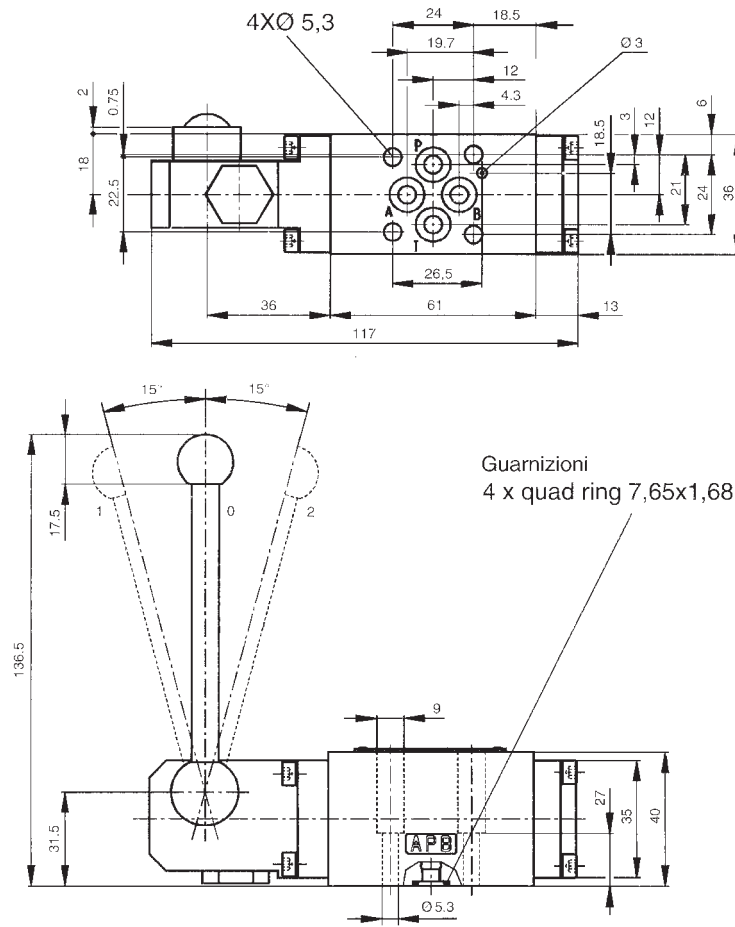
ORDERING CODE	
HD2 – LO – 4 C	
HD2	ISO 02 4-way directional control valve
LO	Manually operated
4	Spool type (see table)
C	Drive arrangement (see table)

SPOOL TYPE **	
1	
3	
4	

DRIVE ARRANGEMENT	
C	
N	
LL	
D	

ORDERING CODE	
<p>Typical Δp-Q curves for valves HD2-LO in standard configuration, with mineral oil at 36cSt and 50°C for flow P→A,B A,B→T and P→T</p> <p>1) All spools P→A,B and A,B→T. Spool 4 P→T. 2) Spool 4 P→A,B and A,B→T</p>	<p>Typical p-Q curves of operating limits for maximum hydraulic power transferred by valves HD2-LO</p> <p>All spools</p>

OVERALL DIMENSIONS



Fixing bolts: n.4 M5 x 35 (not included) – Tightening torque 5Nm

Subject to technical and dimensional changes without notice

TYPICAL SECTION

1	Body	4	Acting lever
2	Spool	5	Spring
3	Actuator body	6	Detent

