

## ISO 03 HYDRAULIC VALVES type HD3-LO DIRECTIONAL CONTROL - MANUALLY OPERATED

- 4-way manually operated directional valves
- ISO 03 interface
- Maximum flow rate: 80 l/min
- Maximum pressure (port P-A-B): 320bar
- Maximum pressure (port T): 100bar
- Mass: 1,6 kg
- Suitable for mineral oil according to ISO 18/16/14 filtration class or better.  
Recommended viscosity range: 10 to 60cSt



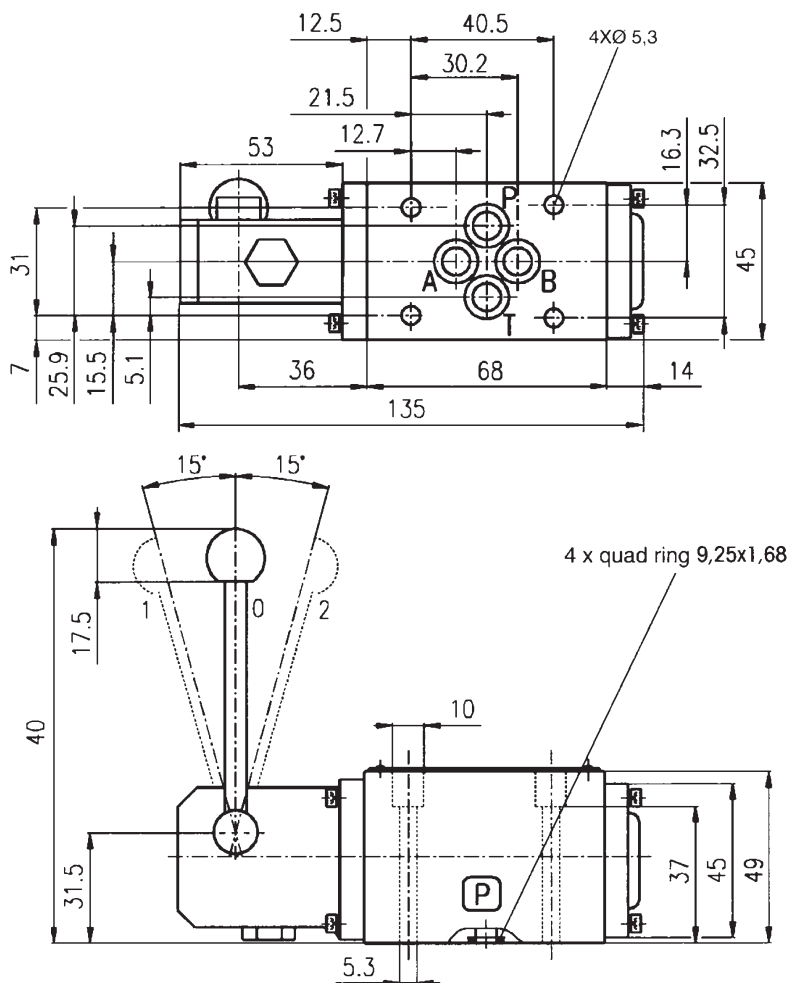
ORDERING CODE	
<b>HD3 – LO – 1 C</b>	
<b>HD3</b>	ISO 03 4-way directional control valve
<b>LO</b>	Manually operated
<b>1</b>	Spool type (see table)
<b>C</b>	Drive arrangement (see table)

SPOOL TYPE **	
<b>1</b>	
<b>3</b>	
<b>4</b>	

DRIVE ARRANGEMENT	
<b>C</b>	
<b>N</b>	
<b>LL</b>	
<b>D</b>	

ORDERING CODE	
<p>Typical <math>\Delta p</math>-Q curves for valves HD3-LO in standard configuration, with mineral oil at 36cSt and 50°C for flow P→A,B A,B→T and P→T</p> <p>1) All spools P→A,B and A,B→T. Spool 4 P→T. 2) Spool 4 P→A,B and A,B→T</p>	<p>Typical p-Q curves of operating limits for maximum hydraulic power transferred by valves HD3-LO</p>

**OVERALL DIMENSIONS**



Fixing bolts: n.4 M5 x 45 (not included) – Tightening torque 9Nm

Subject to technical and dimensional changes without notice

**TYPICAL SECTION**

<b>1</b>	Body	<b>4</b>	Acting lever
<b>2</b>	Spool	<b>5</b>	Spring
<b>3</b>	Actuator body	<b>6</b>	Detent

