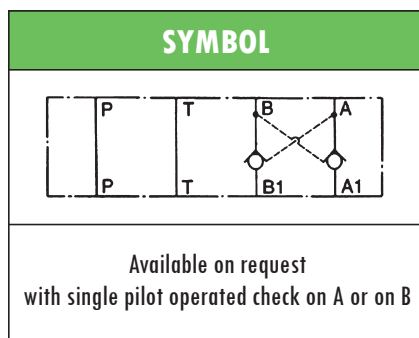


## ISO 03 HYDRAULIC STACKABLE CHECK VALVES type **AM3-CP** PILOT OPERATED

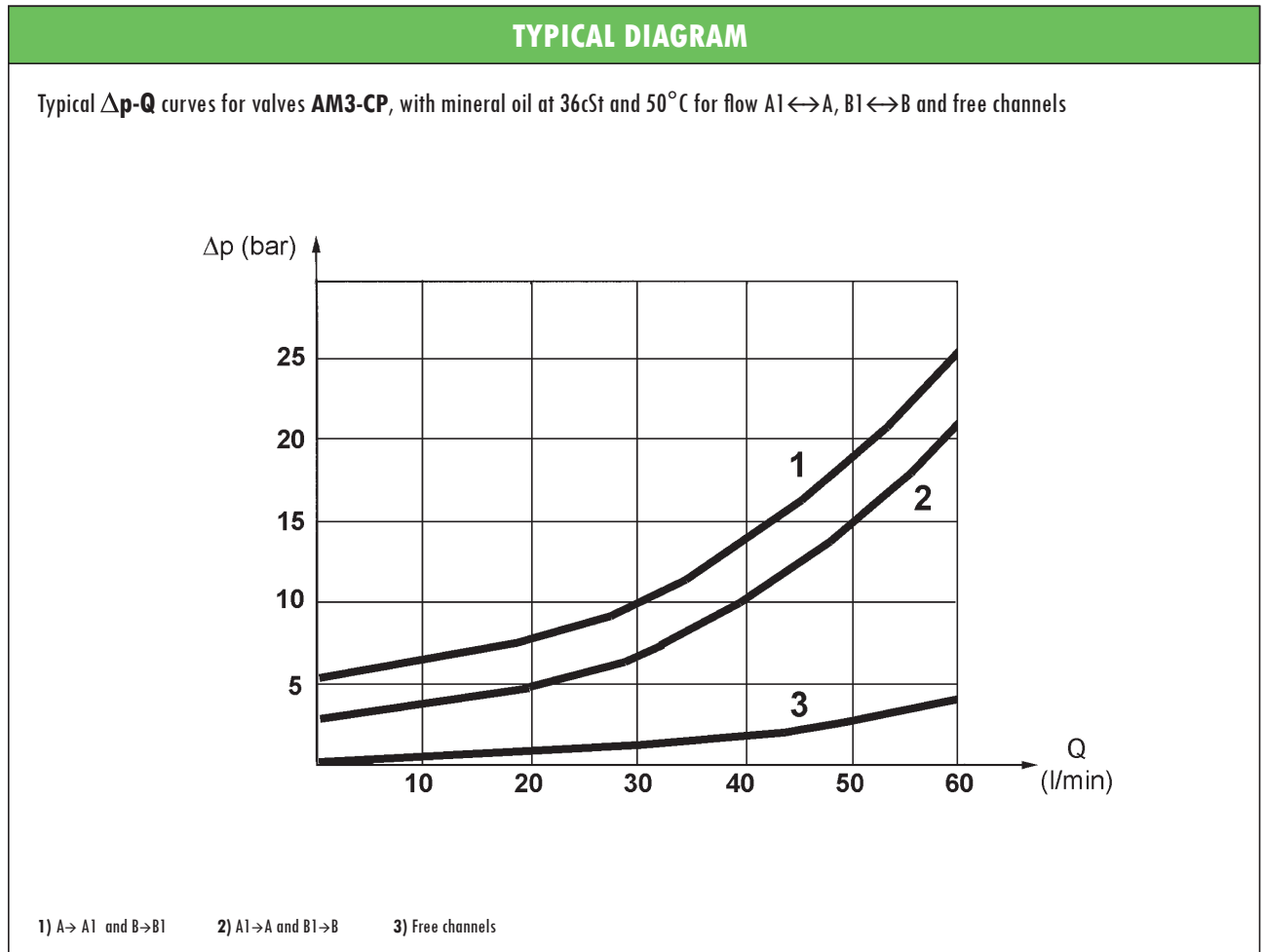
- Hydraulic check valves pilot operated
- **ISO 03** interface, stackable assembly
- Pilot ratio 1: 3,5
- Max operating pressure: 320 bar
- Max recommended flow: 50 l/min
- Mass: 1,0 kg
- Suitable for mineral oil according to ISO 18/16/14 filtration class or better.  
Recommended viscosity range: 10 to 60cSt



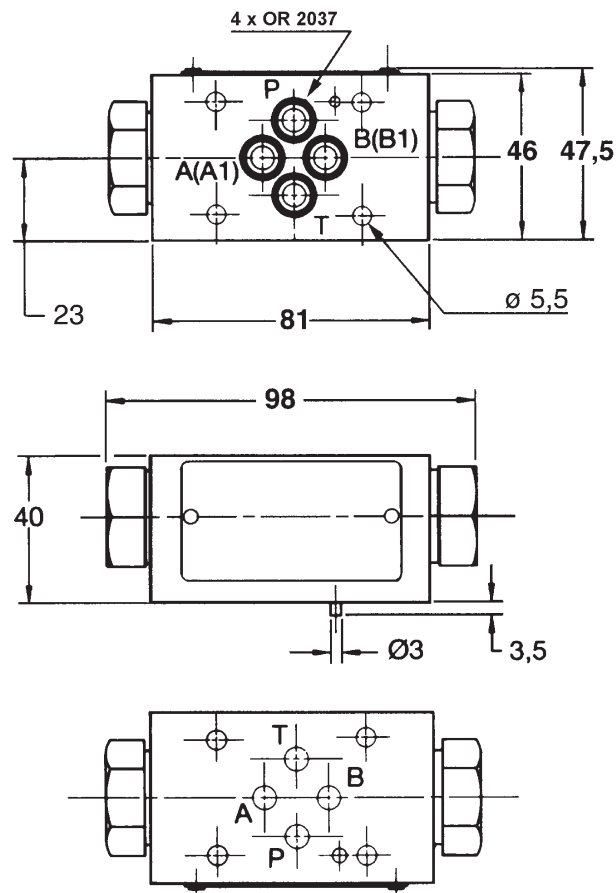
**ORDERING CODE**

**AM3 – CP – AB**

<b>AM3</b>	ISO 03 stackable valve
<b>CP</b>	Pilot operated check valve
<b>AB</b>	Dual check on A and B ( <b>see symbol</b> ) – P and T free



**OVERALL DIMENSIONS**



Subject to technical and dimensional changes without notice

**TYPICAL SECTION**

0	Pin	5	Spring
1	Body	6	Check device holder
2	Pilot piston	7	Seal
3	Bush	8	Seal
4	Poppet	9	Seal

