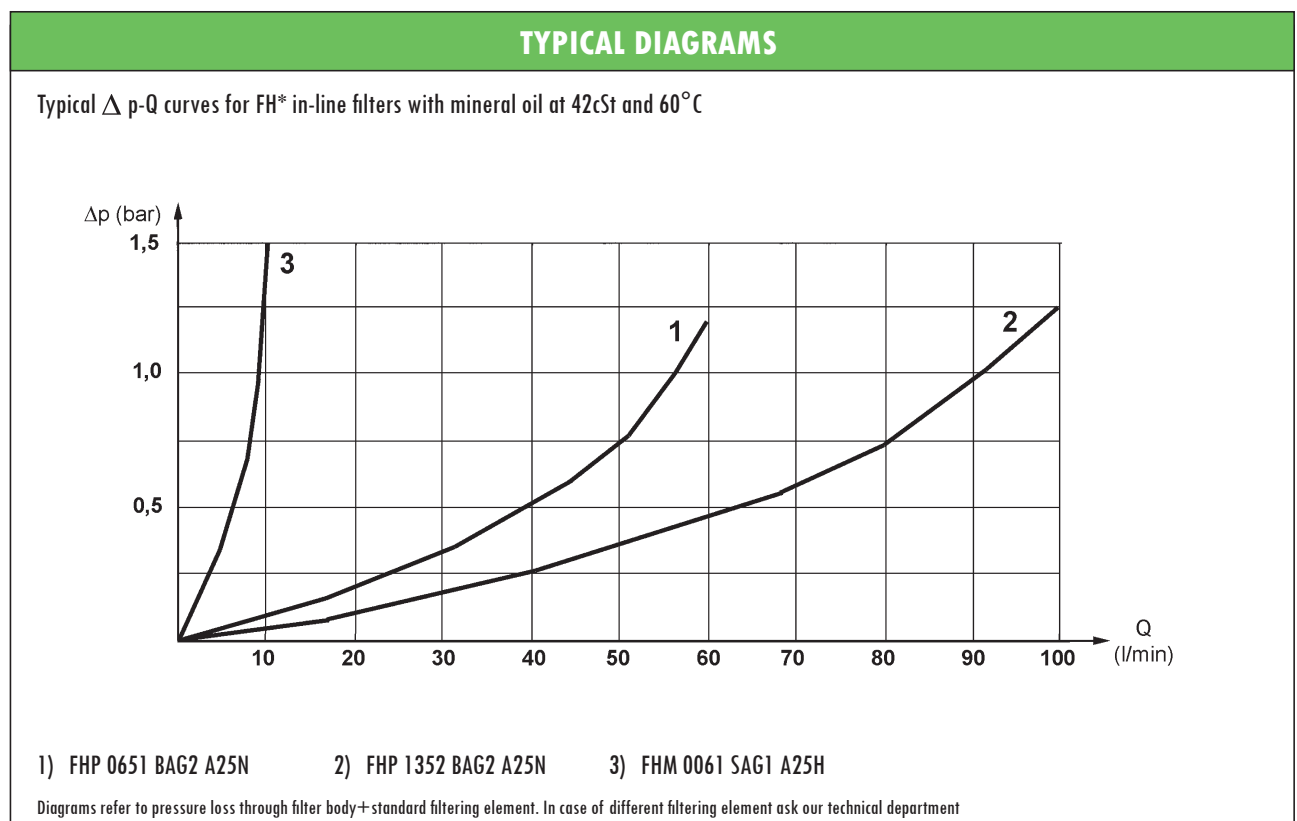


HYDRAULIC IN-LINE FILTERS type FH* HIGH PRESSURE SERIES

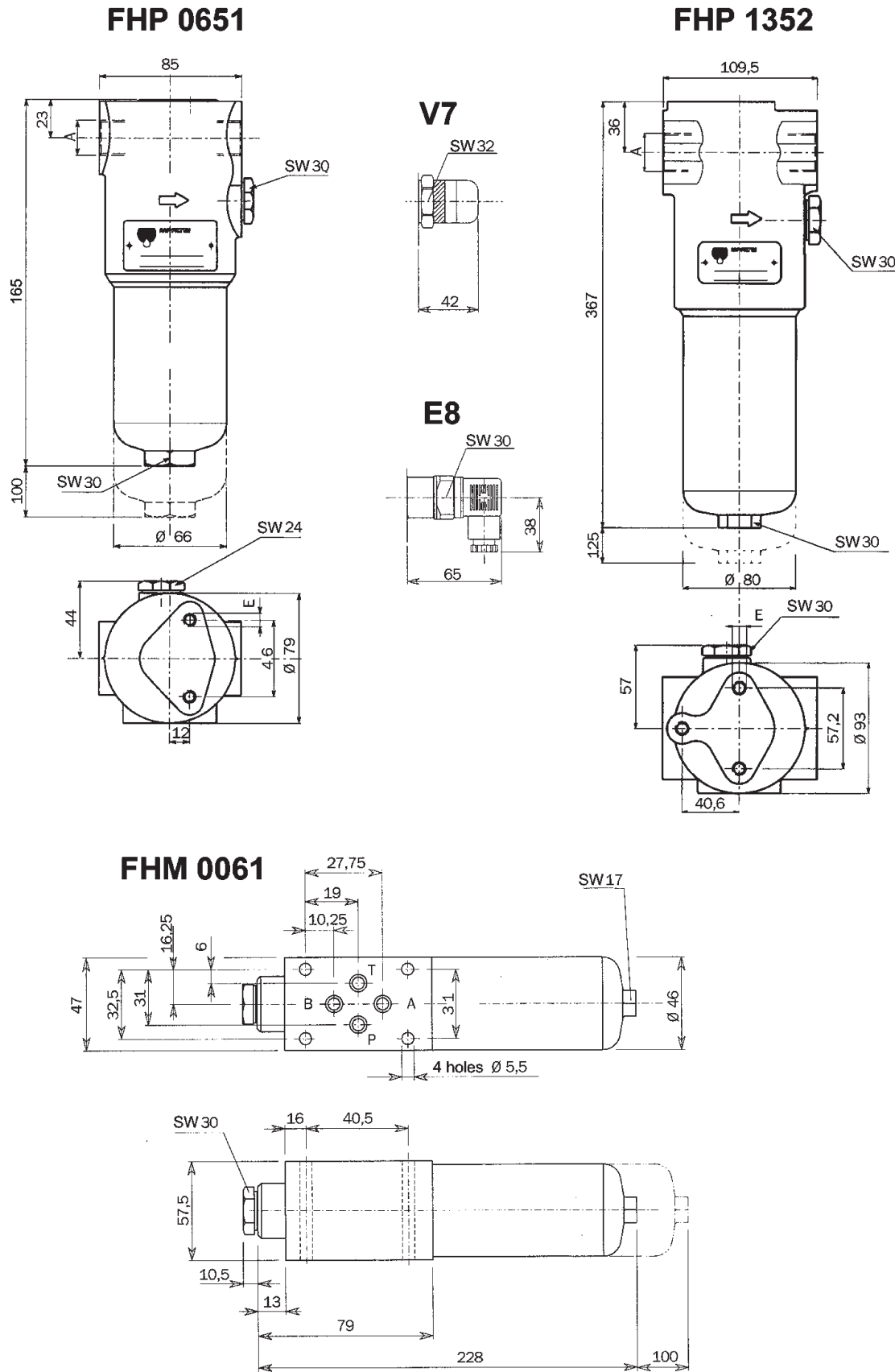
- Designed to be installed on pressure line in order to protect the circuit components
- FHM type for intermediate ISO 03 stackable assembly
- Filtering element made by inorganic micro fibre with acrylic support
- Filtration standard rate: 25µm
- Filtering element collapse: 20bar (FHP), 210bar (FHM)
- FHP types are equipped with a by-pass valve (opening $\Delta p=6\text{bar}$)
- Visual or electrical clogging indicator
- When clogged, the filtering element must be replaced



TECHNICAL DATA and DIMENSIONS								
ORDERING CODE	Symbol	QMAX [l/min]	PMAX [bar]	Filtration rate(*) [µm]	Ports	Mass [kg]	Clogging indicator	Filtering element
FHP 0651 BAG2 A25N		60	420	25	3/4" BSP	3,9	V7 visual E8 electrical	HP0651A25N
FHP 1352 BAG2 A25N		100	420	25	1" BSP	9,4	V7 visual E8 electrical	HP1352A25N
FHM 0061 SAG1 A25H		10	320	25	ISO 03 surface	2,4	V7 visual E8 electrical	HP0201A25H



OVERALL DIMENSIONS



Subject to technical and dimensional changes without notice