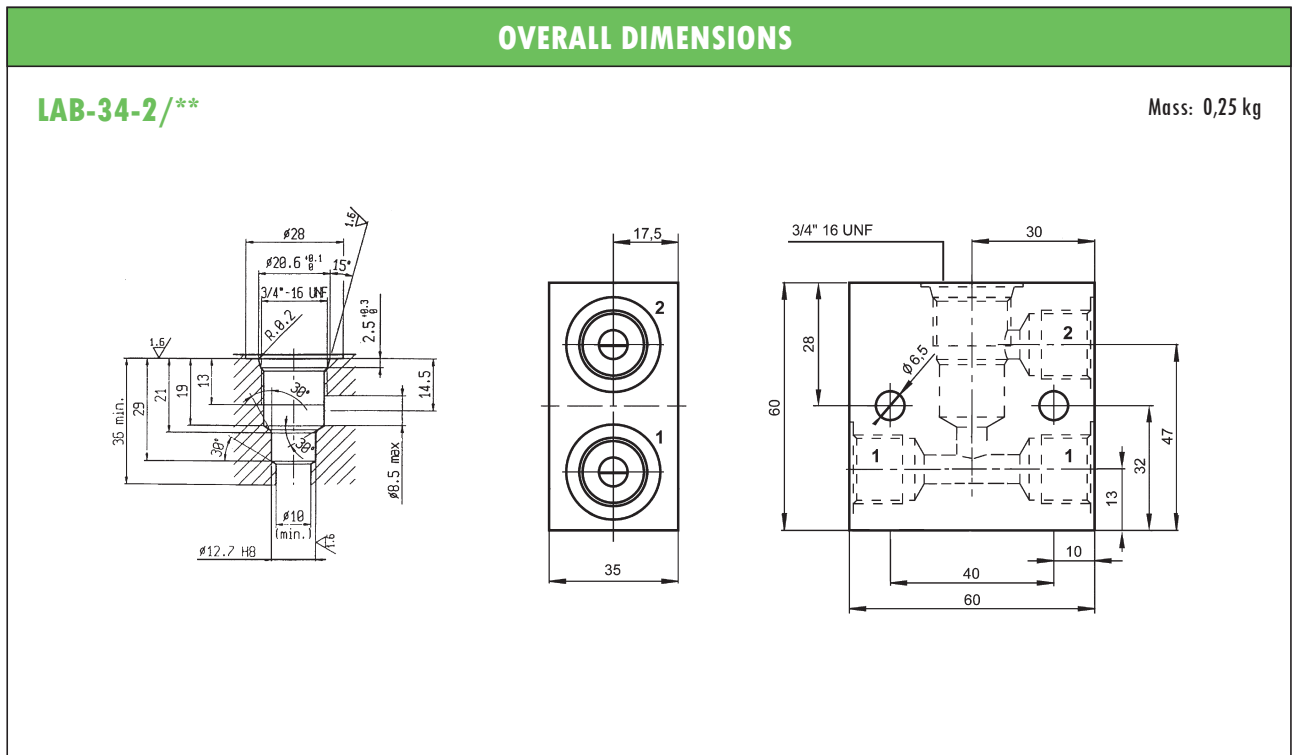


LINE ASSEMBLY BODIES type LAB FOR SCREW-IN VALVES

- Suitable for standard 2-way, 3-way and 4-way screw-in cartridge valves
- Parallel assembly: all ports connected (only 2-way valves)
- Series assembly: one port n.1 plugged (only 2-way valves)
- Standard execution for 2-way valves with plug on port n.1
- Material: aluminium
- Maximum operating pressure: 350 bar
- Cavity according to UNF standards, BSP ports



ORDERING CODE	
LAB-34-2/38	
LAB	Line assembly body
34	34: Cavity 3/4" – 16 UNF 78: Cavity 7/8" – 14 UNF
2	2: 2-way valves 3: 3-way valves 4: 4-way valves
38	14: ports 1/4" BSP (LAB-34-2 only) 38: ports 3/8" BSP 12: ports 1/2" BSP (LAB-78-2 only)

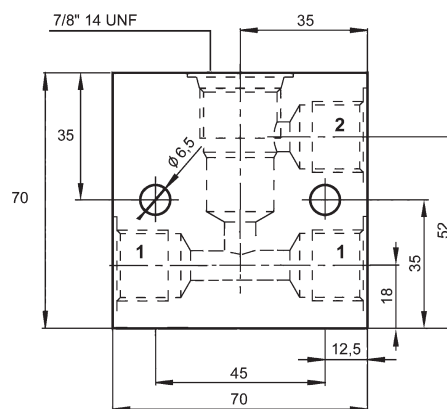
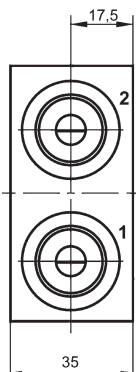
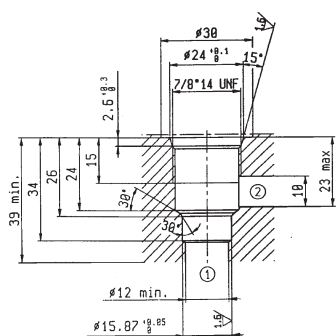


Subject to technical and dimensional changes without notice

OVERALL DIMENSIONS

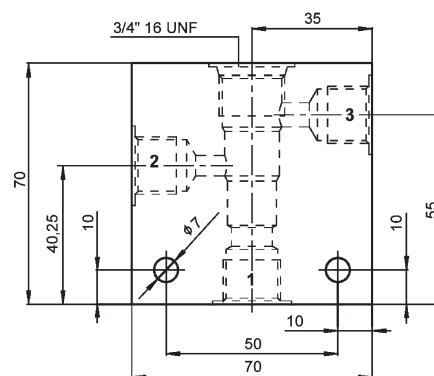
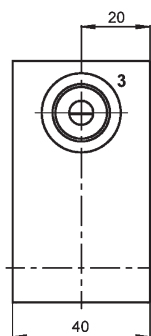
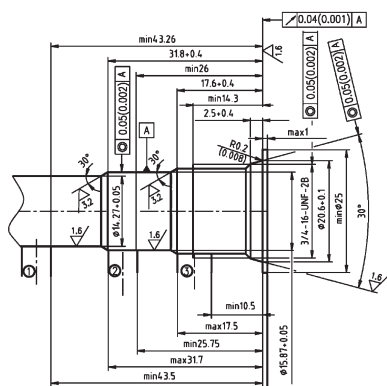
LAB-78-2/**

Mass: 0,37 kg



LAB-34-3/38

Mass: 0,37 kg



LAB-34-4/38

Mass: 0,54 kg

