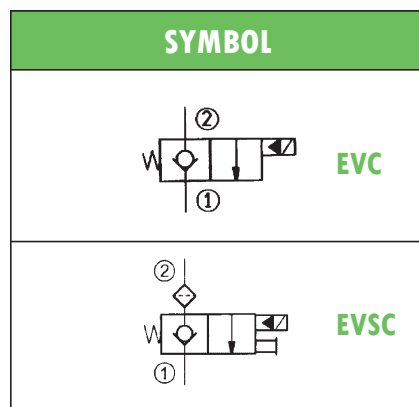


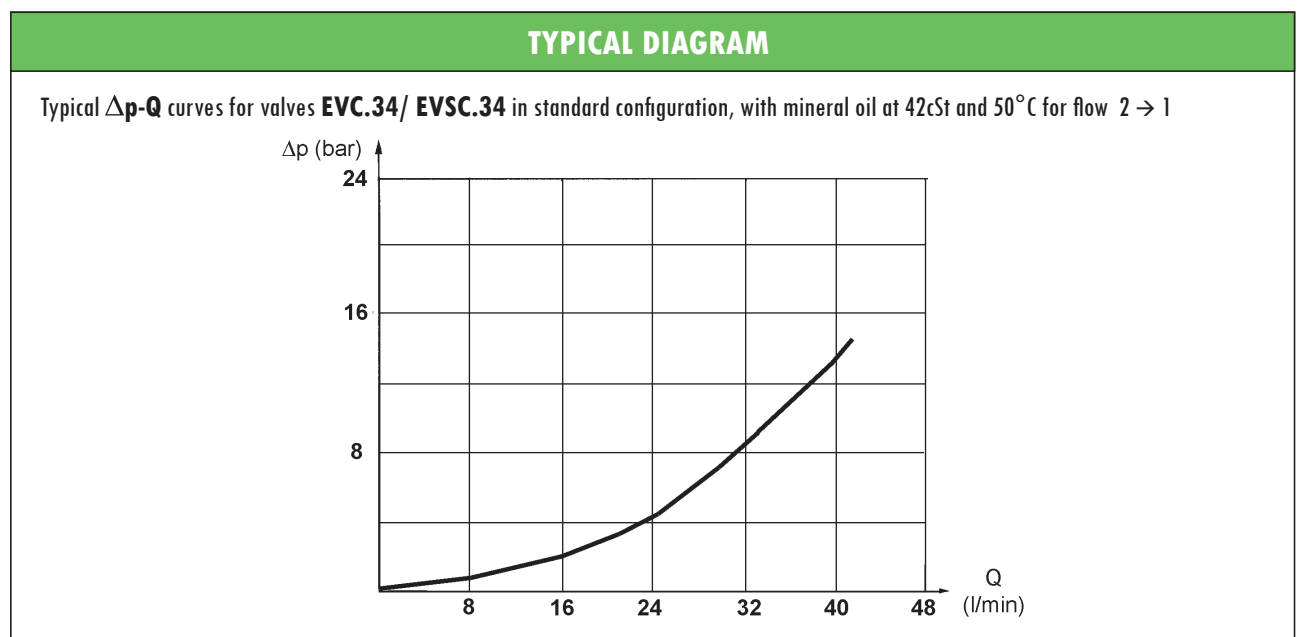
## HYDRAULIC SCREW-IN VALVES type **EVC.34/ EVSC.34** N.C. 1-DIR. FLOW – SOLENOID OPERATED

- Suitable for standard cavity **3/4" 16 UNF**
- **2-way** solenoid operated poppet valves
- Normally closed, one direction flow
- Maximum operating pressure: 250 bar
- Nominal flow rate: 32 l/min
- Maximum flow rate: 40 l/min
- 100% duty cycle
- Steel body
- Poppet in hardened and grinded steel
- Mass 0,32 kg (coil included)

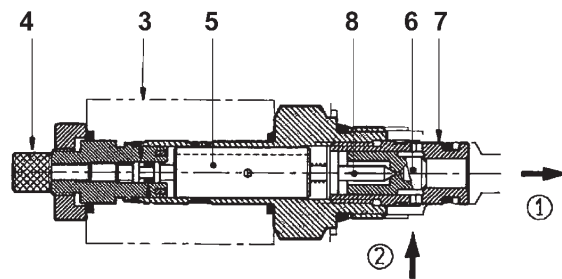
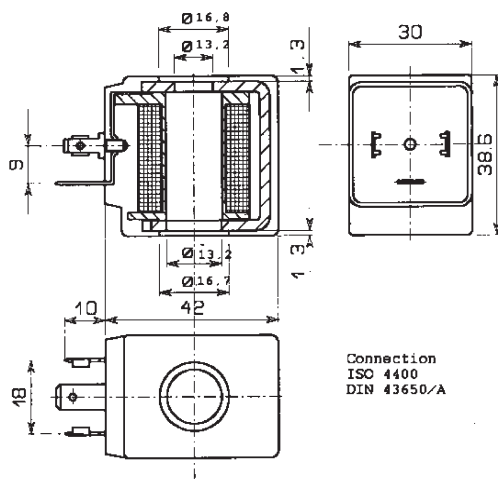
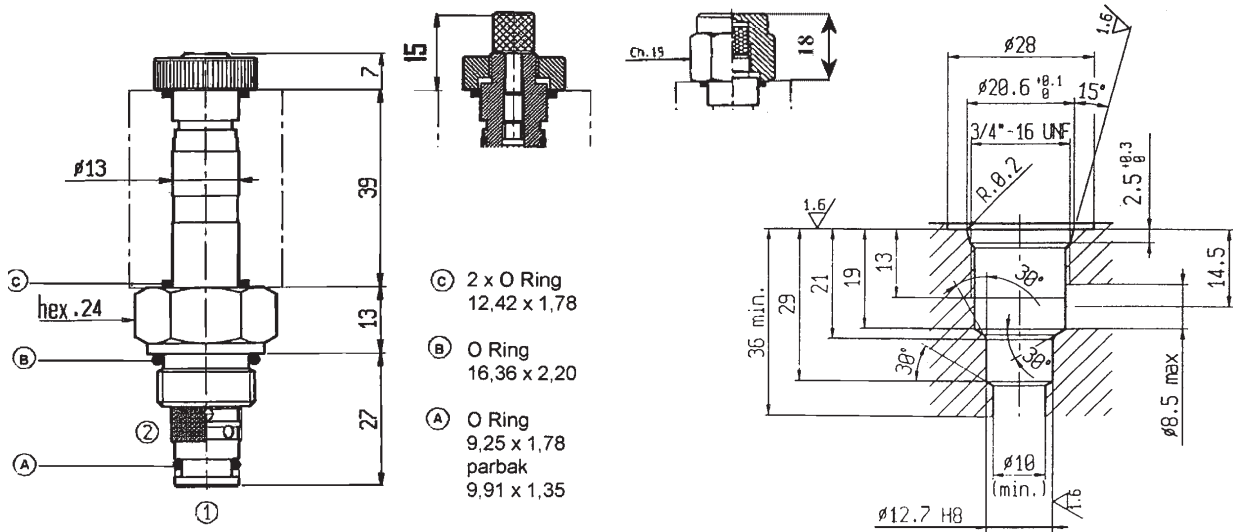


ORDERING CODE
<b>EVC.34.03</b>
2-way solenoid <b>operated</b> poppet valve, cavity 3/4" – 16 UNF
<b>EVSC.34.02</b>
2-way solenoid operated valve, cavity 3/4" – 16 UNF with filter and manual override by screw

COIL	Ø13 / 18W – Plugs (not included) according to ISO 4400: see table AZ-100
<b>C30-012C</b>	<b>12V DC</b> – 1,55A – 7,7Ω at 20°C – 18,6W nominal power – Insulation class F
<b>C30-024C</b>	<b>24V DC</b> – 0,8A – 31Ω at 20°C – 19W nominal power – Insulation class F
<b>C30-220R</b>	<b>230V RAC</b> (rectifier plug needed) – 0,08A – 2500Ω at 20°C – 16W nominal power – Insulation class F



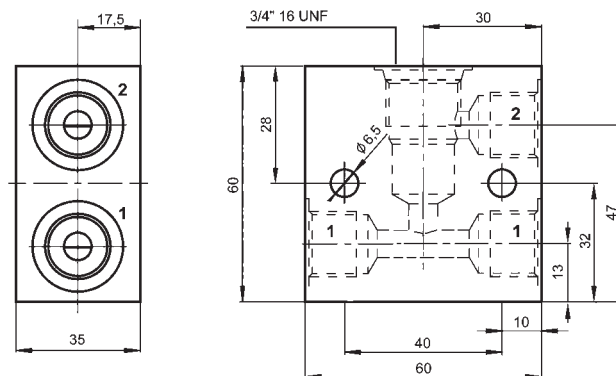
**OVERALL DIMENSIONS**



3	Coil	6	Poppet
4	Manual override	7	Seat
5	Mobile armature	8	Pilot pin

Subject to technical and dimensional changes without notice

**LINE ASSEMBLY BODY**



Code	Ports
LAB-34-2/14	1/4" BSP
LAB-34-2/38	3/8" BSP
Mass: 0,25 kg	

Suitable for standard 2-way screw-in valves, cavity 3/4" 16 UNF.  
 Designed for in-line assembly, either parallel or in series one, LAB aluminium bodies are supplied with one service port (1) plugged.