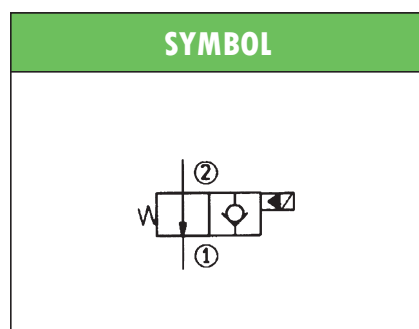
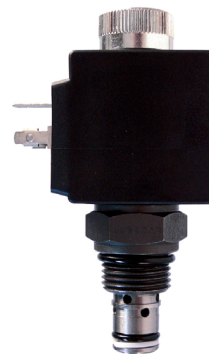


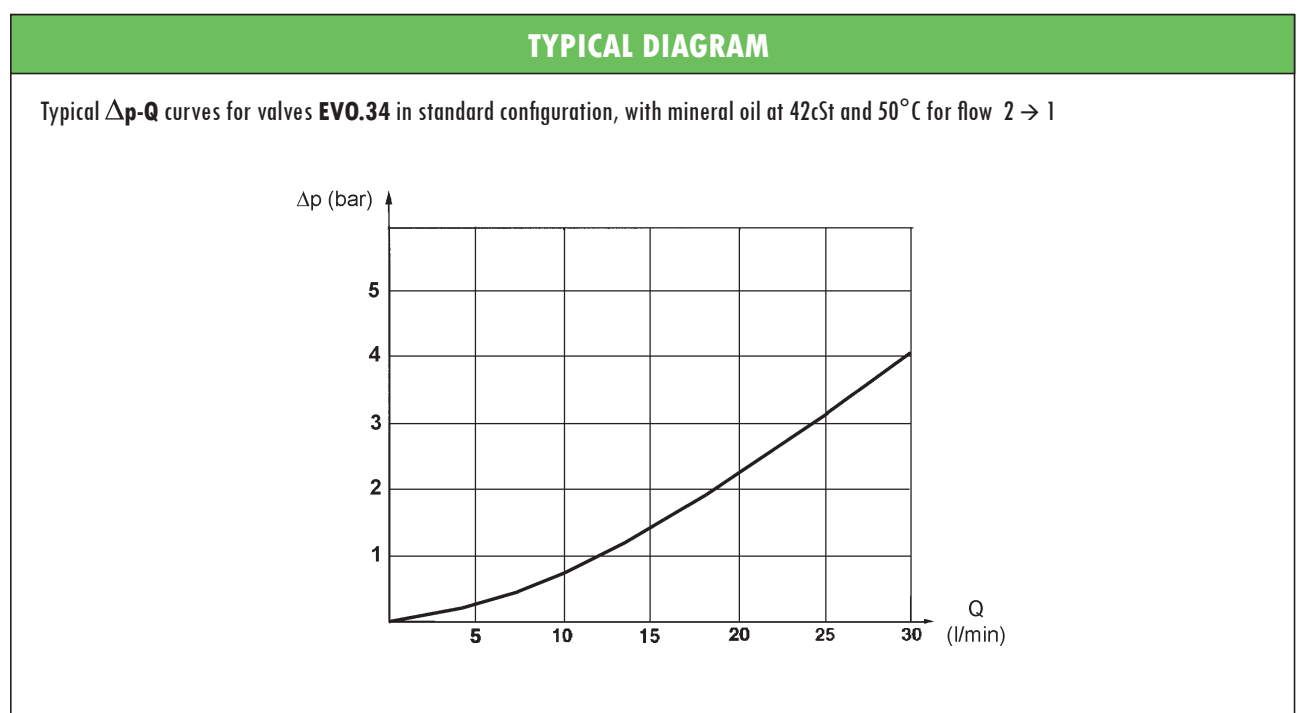
HYDRAULIC SCREW-IN VALVES type **EVO.34** N.O. 1-DIR. FLOW – SOLENOID OPERATED

- Suitable for standard cavity **3/4" 16 UNF**
- **2-way** solenoid operated poppet valves
- **Normally open**, one direction flow
- Maximum operating pressure: **250 bar**
- Nominal flow rate: **20 l/min**
- Maximum flow rate: **30 l/min**
- **100%** duty cycle
- Steel body
- Poppet in hardened and grinded steel
- Mass **0,32 kg** (coil included)

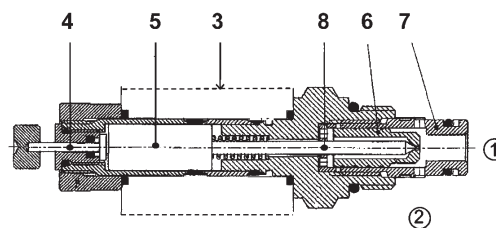
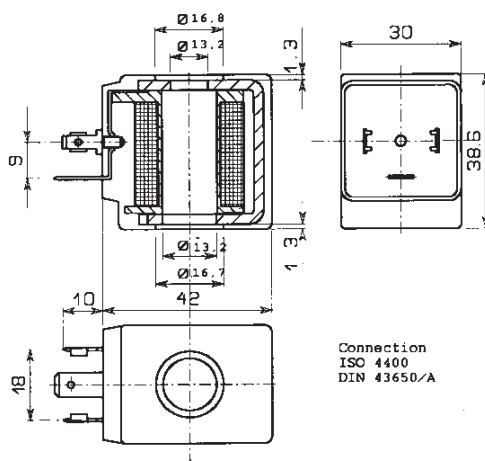
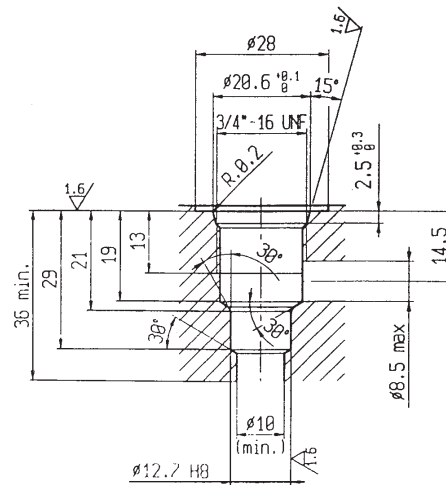
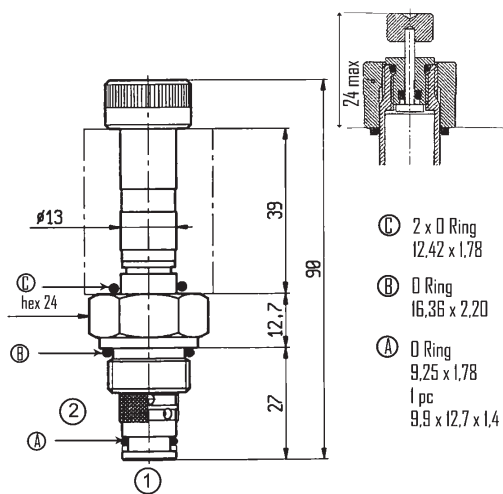


ORDERING CODE	
EVO.34.03	
EVO	2-way solenoid operated poppet valve
34	Cavity 3/4" – 16 UNF
03	standard execution

COIL	
	Ø13 / 18W – Plugs (not included) according to ISO 4400: see table AZ-100
C30-012C	12V DC – 1,55A – 7,7Ω at 20°C – 18,6W nominal power – Insulation class F
C30-024C	24V DC – 0,8A – 31Ω at 20°C – 19W nominal power – Insulation class F
C30-220R	230V RAC (rectifier plug needed) – 0,08A – 2500Ω at 20°C – 16W nominal power – Insulation class F



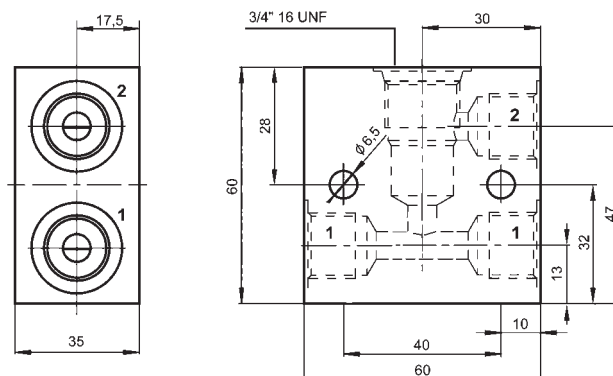
OVERALL DIMENSIONS



3	Coil	6	Poppet
4	Manual override	7	Seat
5	Mobile armature	8	Pilot pin

Subject to technical and dimensional changes without notice

LINE ASSEMBLY BODY



Code	Ports
LAB-34-2/14	1/4" BSP
LAB-34-2/38	3/8" BSP
Mass: 0,25 kg	

Suitable for standard 2-way screw-in valves, cavity 3/4" 16 UNF.
 Designed for in-line assembly, either parallel or in series one, LAB aluminium bodies are supplied with one service port (1) plugged.