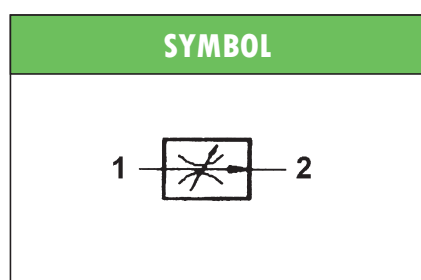
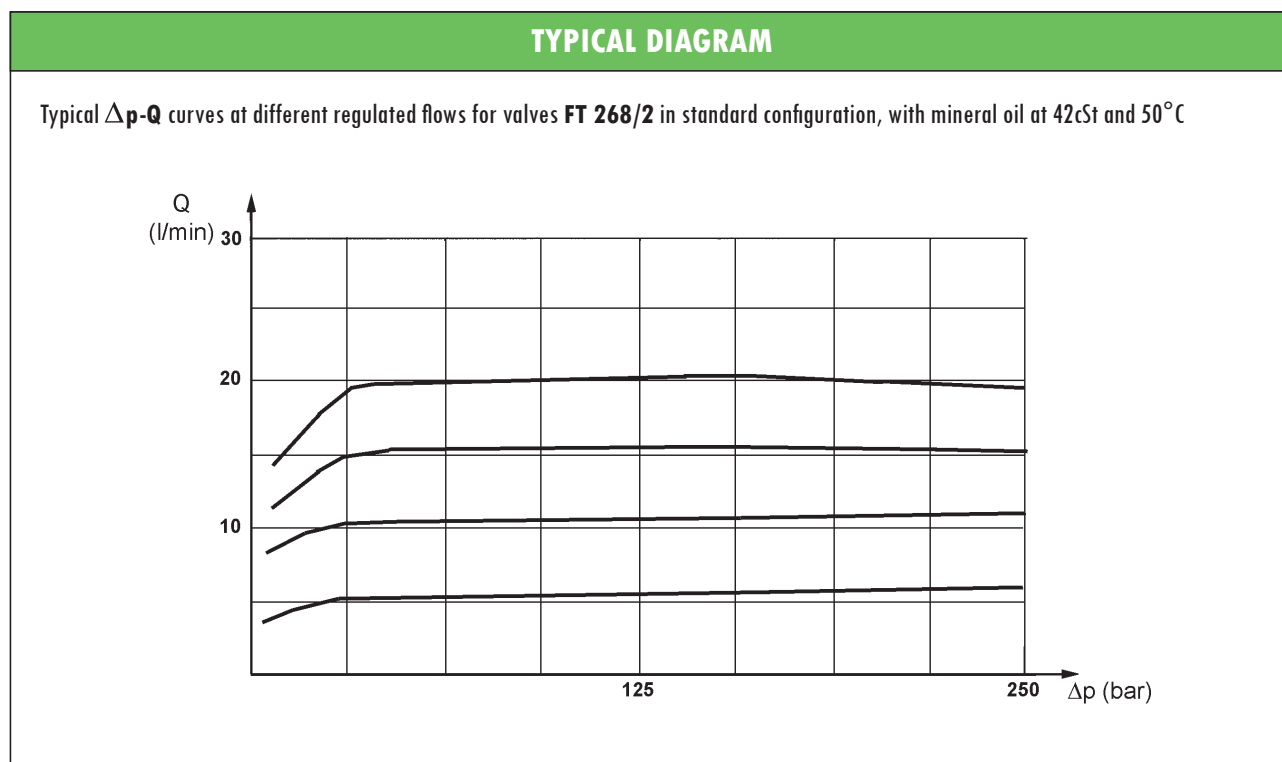


HYDRAULIC SCREW-IN FLOW CONTROL VALVES type **FT268/2** PRESSURE COMPENSATED - ADJUSTABLE

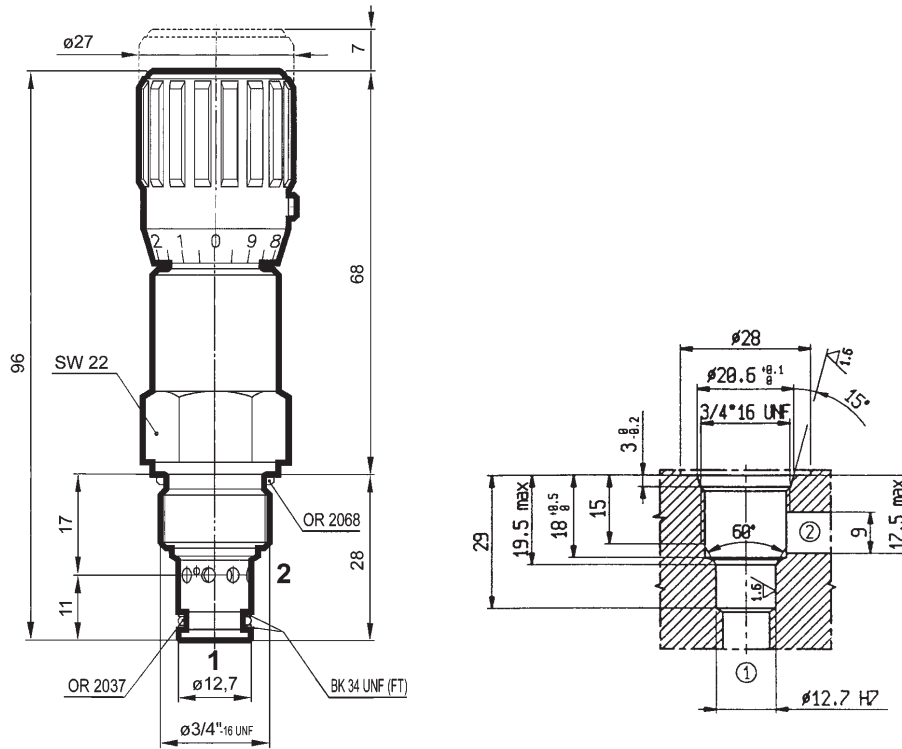
- 2-way adjustable flow control valve, pressure compensated
- Suitable for standard cavity **3/4" 16 UNF**
- Maximum recommended flow: 20 l/min
- Maximum operating pressure: 250 bar
- High adjustment accuracy due to its precision hand-grip with locking screw
- Steel body
- Poppet in hardened and grinded steel
- Mass: 0,2 kg



ORDERING CODE	
FT 268/2 - 34	
FT 268/2	Screw-in adjustable flow control valve, pressure compensated
34	Size (3/4" 16 UNF)

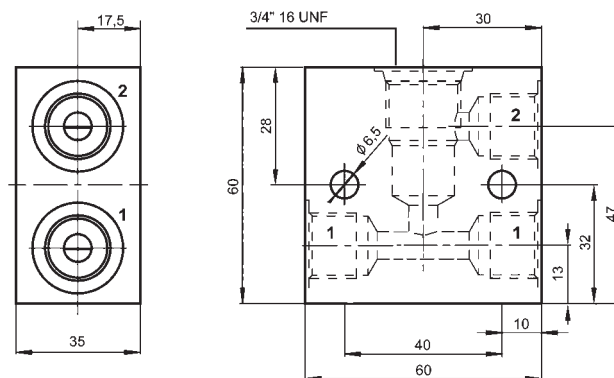


OVERALL DIMENSIONS



Subject to technical and dimensional changes without notice

LINE ASSEMBLY BODY



Code	Ports
LAB-34-2/14	1/4" BSP
LAB-34-2/38	3/8" BSP
Mass: 0,25 kg	

Suitable for standard 2-way screw-in valves, cavity 3/4" 16 UNF.

Designed for in-line assembly, either parallel or in series one, LAB aluminium bodies are supplied with one service port (1) plugged.