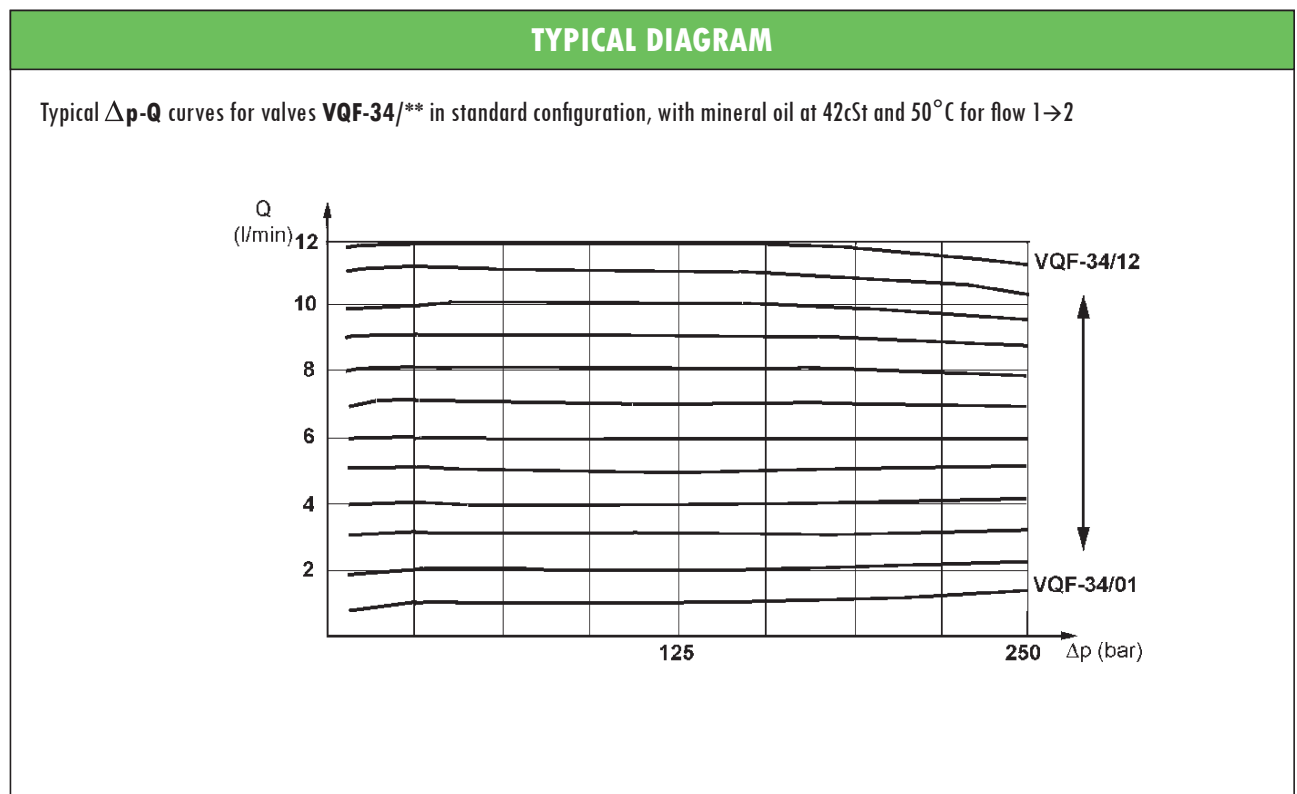


HYDRAULIC SCREW-IN FLOW CONTROL VALVES type **VQF** PRESSURE COMPENSATED - FIXED FLOW RATE

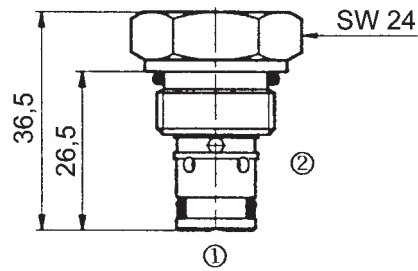
- 2-way pressure compensated flow control valve
- Suitable for standard cavity **3/4" 16 UNF**
- Not adjustable type: available in different fixed delivery rates (from 1 to 12 l/min — accuracy: $\pm 10\%$ at 100 bar)
- Maximum operating pressure: 250 bar
- Reverse flow through the same regulating orifice, without pressure compensation
- Steel body
- Poppet in hardened and grinded steel



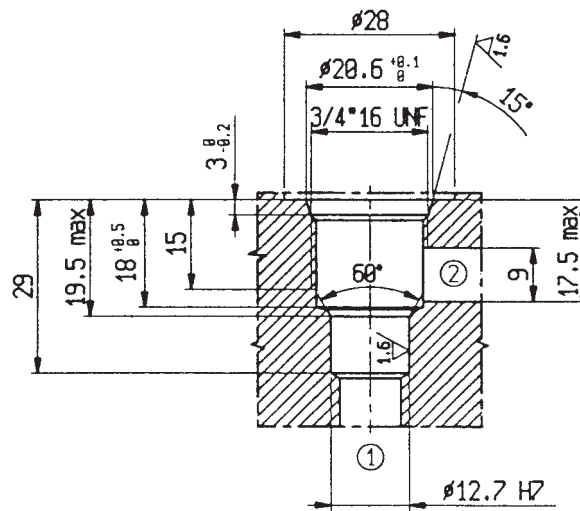
SYMBOL		ORDERING CODE	
		VQF – 34 / **	
VQF		Pressure compensated flow control valve	
34		Size (3/4" 16 UNF)	
**		Flow rate:	
		01 – 1 l/min	07 – 7 l/min
		02 – 2 l/min	08 – 8 l/min
		03 – 3 l/min	09 – 9 l/min
		04 – 4 l/min	10 – 10 l/min
		05 – 5 l/min	11 – 11 l/min
		06 – 6 l/min	12 – 12 l/min



OVERALL DIMENSIONS

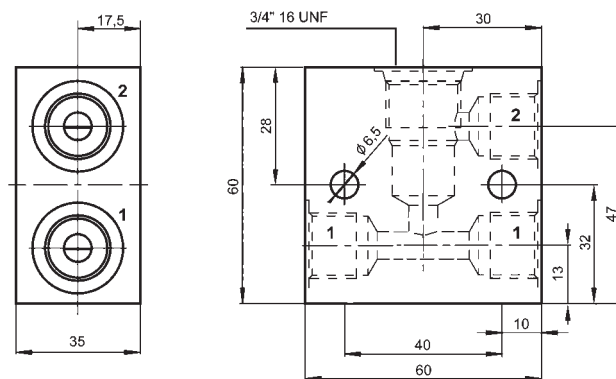


Tightening torque 40-45Nm



Subject to technical and dimensional changes without notice

LINE ASSEMBLY BODY



Code	Ports
LAB-34-2/14	1/4" BSP
LAB-34-2/38	3/8" BSP
Mass: 0,25 kg	

Suitable for standard 2-way screw-in valves, cavity 3/4" 16 UNF.

Designed for in-line assembly, either parallel or in series one, LAB aluminium bodies are supplied with one service port (1) plugged.