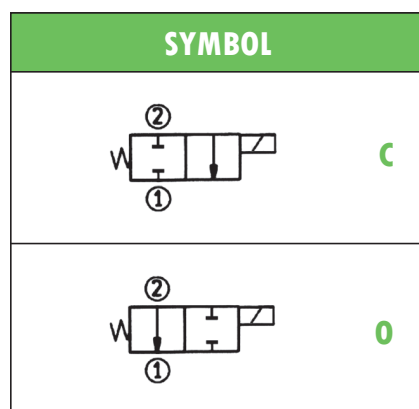


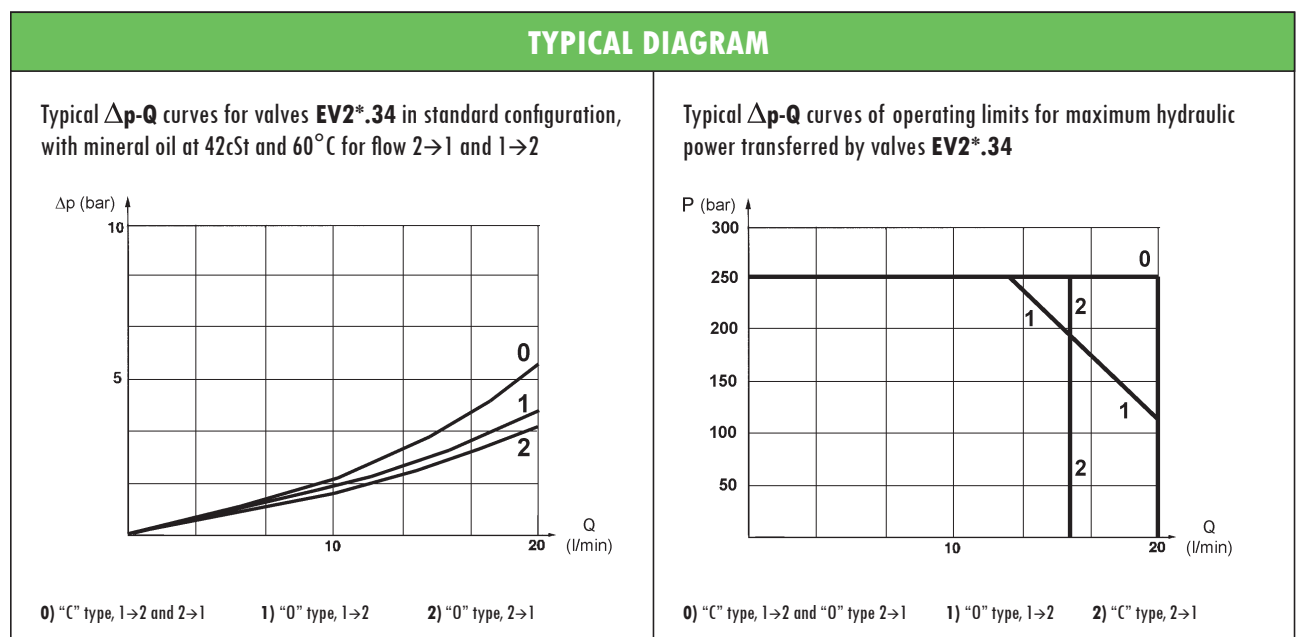
HYDRAULIC SCREW-IN SPOOL VALVES type EV2*.34 2-WAY SOLENOID OPERATED

- Suitable for standard cavity 3/4" 16 UNF
- Maximum operating pressure: 250 bar
- Maximum recommended flow rate: 20 l/min
- 100% duty cycle
- Steel body
- Spool in hardened and grinded steel
- Mass 0,32 kg (coil included)

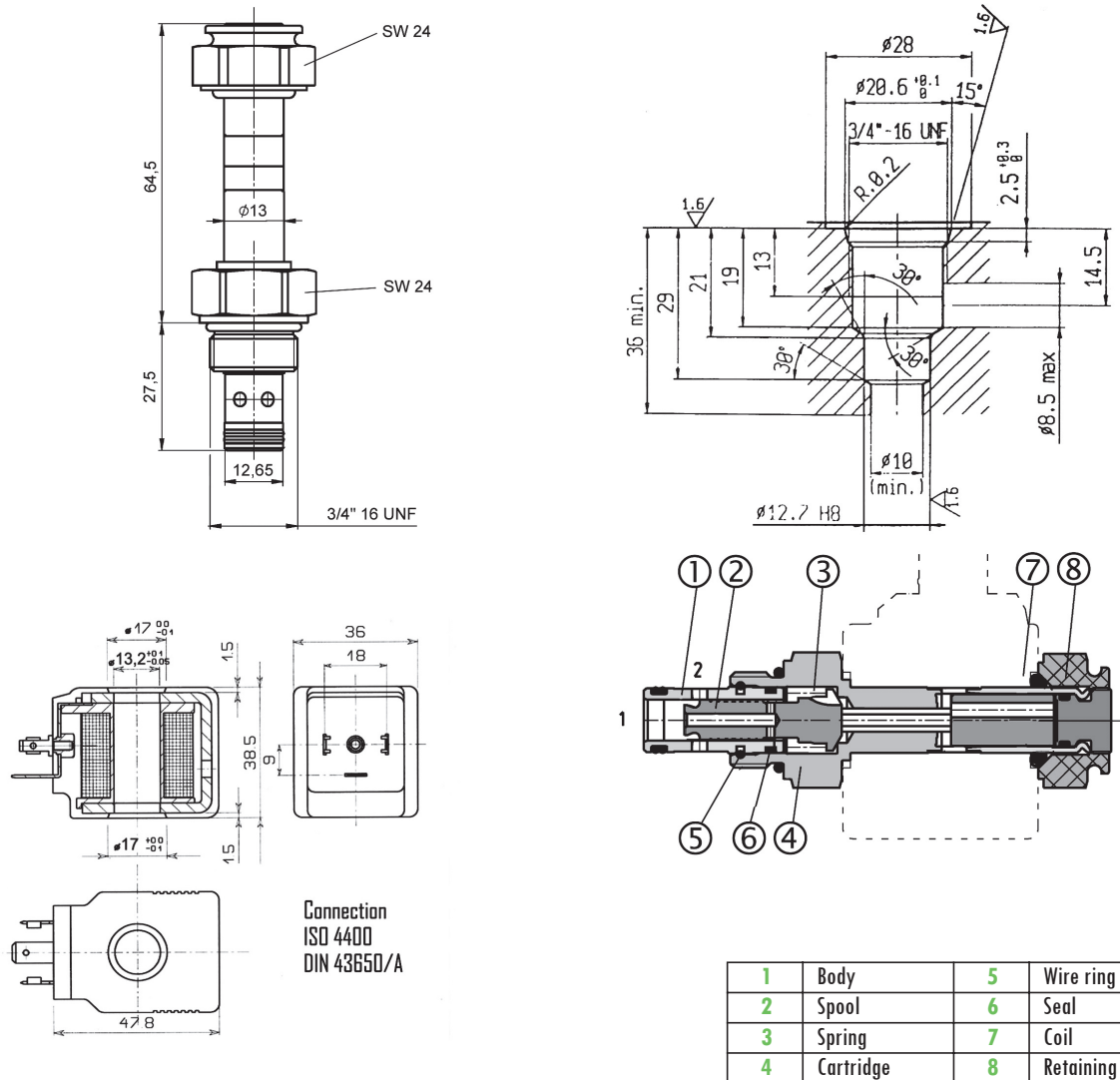


ORDERING CODE	
EV2C.34.03	
EV2	2-way solenoid operated spool valve
C	C : normally closed (see symbol) O : normally open (see symbol)
34	Nominal size (3/4" 16 UNF)
03	Standard execution

COIL	Ø13 / 22W – Plugs (not included) according to ISO 4400: see table AZ-100
C36-012C	12V DC – 1,9A – 6,3Ω at 20°C – 22,8W nominal power – Insulation class H
C36-024C	24V DC – 0,95A – 25,6Ω at 20°C – 22,5W nominal power – Insulation class H
C36-220R	230V RAC (rectifier plug needed) – 0,11A – 1720Ω at 20°C – 22,3W nominal power – Insulation class H

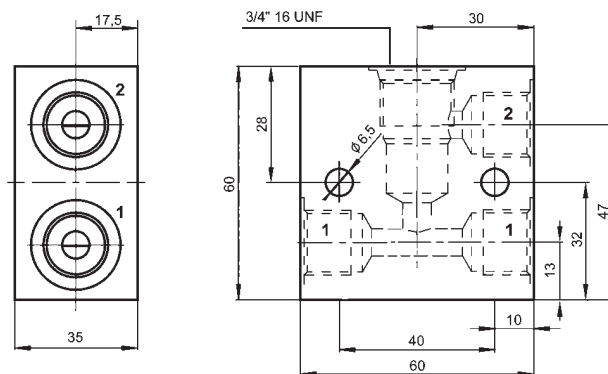


OVERALL DIMENSIONS



Subject to technical and dimensional changes without notice

LINE ASSEMBLY BODY



Code	Ports
LAB-34-2/14	1/4" BSP
LAB-34-2/38	3/8" BSP
Mass: 0,25 kg	

Suitable for standard 2-way screw-in valves, cavity $3/4'' 16 \text{ UNF}$.
Designed for in-line assembly, either parallel or in series one, LAB aluminium bodies are supplied with one service port (1) plugged.