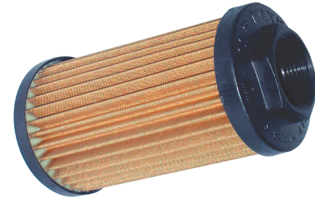
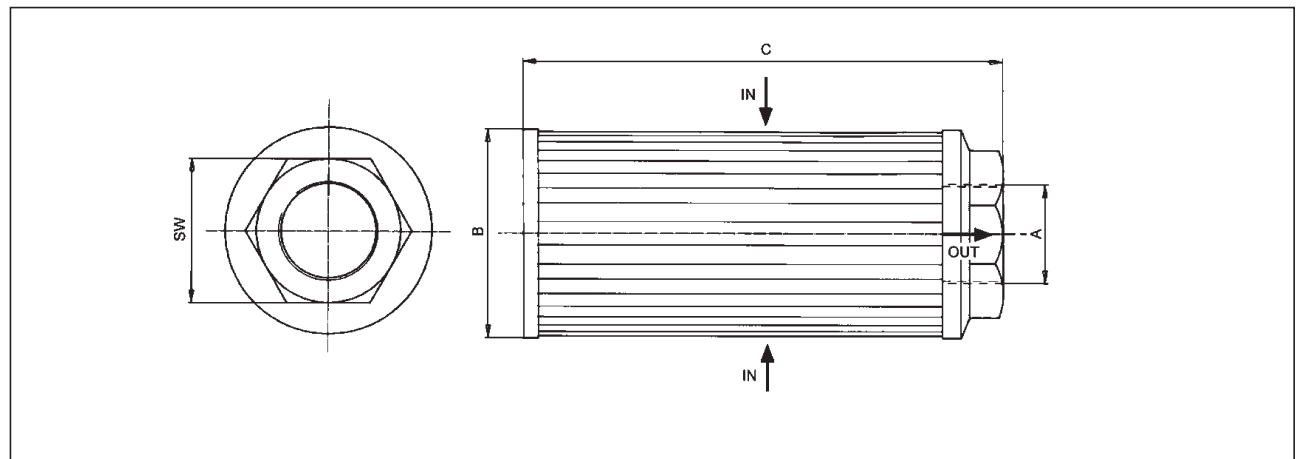


HYDRAULIC SUCTION FILTERS type STR

- Designed to be installed on the pump suction line immersed in the fluid
- Filtering element in metallic net with square mesh
- Filtration rate: 90µm
- Filtering element collapse: 1 bar
- When clogged, the filter must be entirely replaced



TECHNICAL DATA and DIMENSIONS								
ORDERING CODE	Symbol	QMAX [l/min]	Filtration rate [µm]	A	B [mm]	C [mm]	SW [mm]	Mass [kg]
STR 0702 SG1M90		35	90	3/4" BSP	70	95	42	0,22
STR 0704 SG1M90		55	90	1" BSP	70	140	42	0,30
STR 1005 SG1M90		150	90	1 1/2" BSP	99	135	69	0,47



Subject to technical and dimensional changes without notice

